



simalube® Lubricators

For Cost Effective Maintenance

simatec
smart technologies

know-how makes the difference

ERIKS

simalube® - the lubrication expert



Contents

Benefits of automatic lubricators	3
simalube automatic lubricators	4
simalube 15ml	6
simalube multipoint	7
simalube IMPULSE	8
Applications	10
Standard lubricants	12
Accessories	13

Cost Effective Maintenance

The simalube lubricator provides automatic lubrication over a period of one month to a year and can be adjusted in an infinitely variable manner.

simalube supplies every lubricating point with the ideal amount of lubricant – be it oil or grease – so that subsequent manual lubrication is no longer needed and maintenance costs are reduced in the long term.

Industries

- Concrete and cement
- Building, mining and quarrying
- Water and wastewater
- Waste and recycling
- Food and beverage
- Elevators and escalators
- Marine

simalube lubricators replace costly manual lubrication. This not only saves time, but also prevents insufficient or over-lubrication. The costs can thus be reduced by up to 30 percent.

Up to 30% lower costs



- Time-saving and greater safety at work thanks to fewer maintenance intervals
- Longer machine service life and less unplanned down-time



Benefits of simalube automatic lubrication



No more manual lubrication

- Saves time
- Greater work safety
- Hard-to-reach lubrication points are permanently supplied
- Lower lubricant consumption



No under- or over-lubrication of components

- Less wear
- Less machine downtime
- Increased machine performance



Sealed, dustproof and waterproof system

- No more confusion of lubricants
- Reduced risk of contamination
- No contamination of lubrication points



Compliance with international standards

- TÜV-tested and Ex-certified in all zones
- Improved workplace safety
- No environmental impact thanks to recycling and disposal according to regulations

simalube® - the lubrication expert

simalube the automatic single-point lubricator

Available in 5 sizes, simalube supplies various lubrication points with lubricant around the clock.
Day in, day out – for up to one year.

Take advantage of the simalube benefits

Reliability

- Lubrication points are continuously supplied with lubricant
- No lubrication point is missed
- Easy monitoring of the dispensing process thanks to the transparent housing

Environmental sustainability

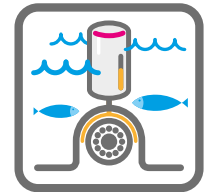
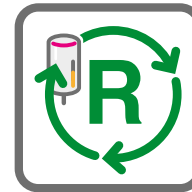
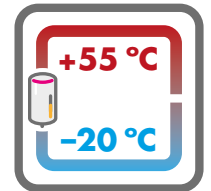
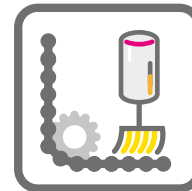
- simalube can be refilled up to 3 times
- Easy disposal at end of dispensing cycle
- simalube lubricators do not contain toxic substances

Flexibility

- simalube is available in 5 sizes: 15, 30, 60, 125 and 250 ml
- Freely selectable dispensing cycle of 1 to 12 months
- Dispensing cycle can be modified anytime
- simalube is available filled or empty for self-filling

Unlimited range of uses (see pages 10/11)

- In confined and hard-to-reach spaces
- In any location, even underwater
- At ambient temperatures of $-20\text{ }^{\circ}\text{C}$ to $+55\text{ }^{\circ}\text{C}$
- Numerous installation options thanks to a large range of accessories
- The standard lubricant range includes modern and proven high-performance lubricants for all applications (see pages 12/13)



Components

Drive

Pressure chamber

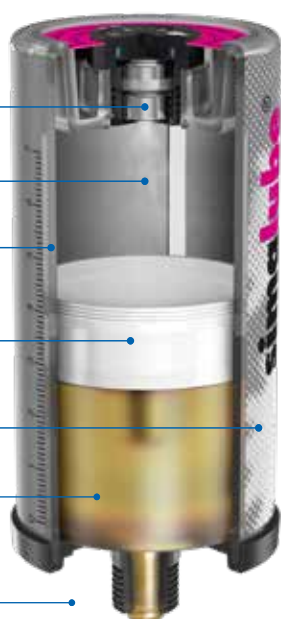
Housing

Piston

Label

Lubricant

Connection



simalube 250



simalube 125







simalube 60



simalube 30

Specifications

Product	Automatic long-term grease and oil lubricator		
Power generation	Hydrogen gas producing drycell		
Working pressure	Max. 5 bar		
Adjustment	Stepless 1–12 month (for standard conditions)		
Operating temperature	–20 °C to +55 °C ambient temperature (Grease consistency changes with temperature)		
Storage temperature	Recommended at 20 °C ±5 °C		
Lubricator volume	30ml	60 ml	125 ml 250 ml
Weight full	~82 g	~115 g	~190 g ~335 g
Weight empty	~55 g	~60 g	~75 g ~111 g
Refill	The 30–250 ml simalubes are refillable		
Certifications	   		

simalube® - the lubrication expert

simalube 15ml

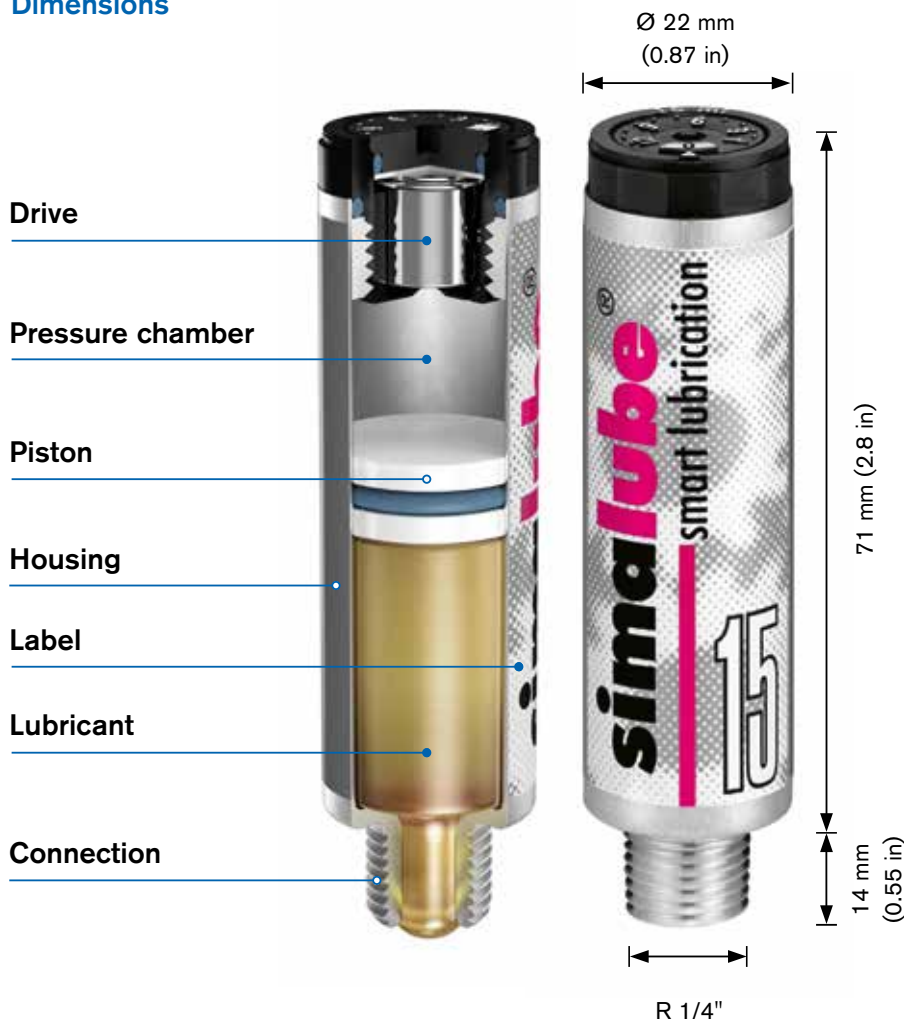


In confined spaces, the 15 ml simalube offers the perfect solution. With its compact size, it is unique on the global market as the smallest automatic lubricator. It functions the same as the larger simalube lubricators and offers the same advantages.

Small size delivers big performance

- Space-saving thanks to compact size
- Robust aluminium enclosure
- Same installation and function as other simalube lubricators
- Alternative to the simalube multipoint when less than 5 lubrication points are needed

Dimensions



Specifications

Product	Automatic, long-term grease and oil lubricator
Power generation	Hydrogen gas producing drycell
Working pressure	Max. 5 bar
Adjustment	Stepless 1–12 months (for standard conditions)
Operating temperature	–20 °C to +55 °C ambient temperature (Grease consistency changes with Temperature)
Storage temperature	Recommended at 0 °C ±5 °C
Lubricator volume	15 ml
Weight full/empty	~35 g / ~21.5 g
Certifications	CE IP 68

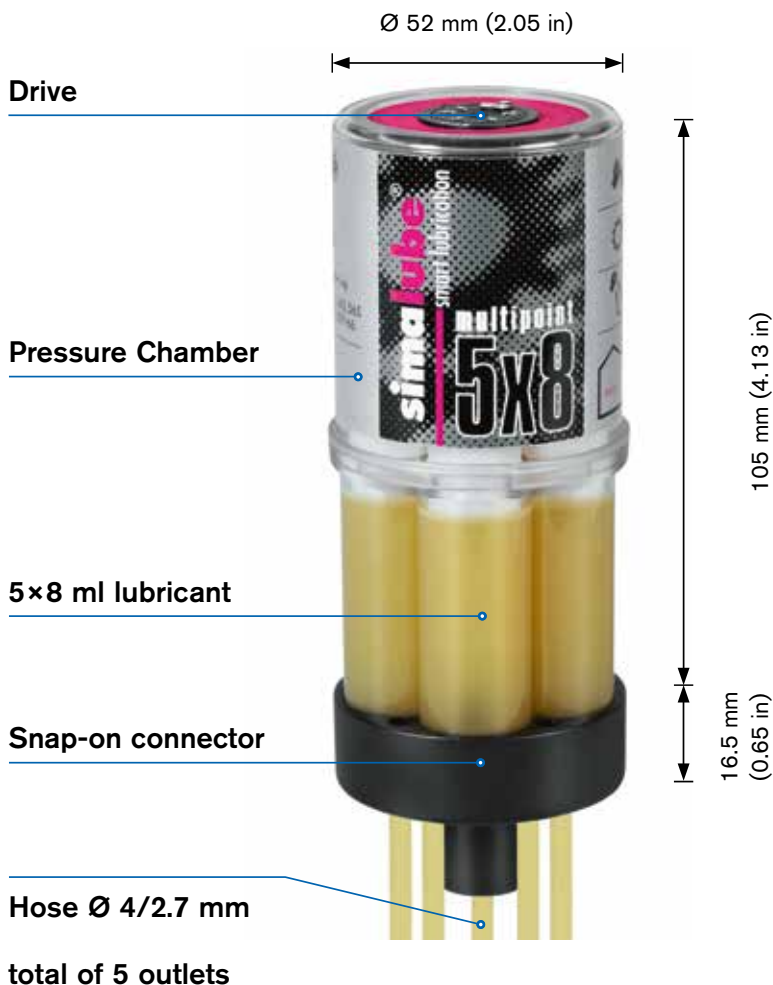
Multi-point Lubricator

The simalube multipoint simultaneously supplies 5 lubrication points for up to one year in the same reliable way as the other proven simalube lubricators. Thanks to the snap-on connector, simalube multipoint can be replaced easily and quickly when empty.




The versatile lubricator for linear guides

- 5×8 ml lubricant volume
- Allows very low lubricant delivery over a long period of time
- Snap-on connector for multipoint
- Quick couplings for connecting hoses
- Ideally suited for lubrication of linear guides

Dimensions



Specifications

Product	Automatic, multi-point, long-term lubricators for grease and oil
Power generation	Hydrogen gas producing drycell
Working pressure	Max. 5 bar
Adjustment	Stepless 1–12 months (for standard conditions)
Operating temperature	–20 °C to +55 °C ambient temperature (grease consistency changes with temperature)
Storage temperature	Recommended at 20 °C ±5 °C
Lubricator volume	5×8 ml
Weight full/empty	~147 g / ~120 g
Certifications	  

simalube® - the lubrication expert

simalube IMPULSE

The simalube IMPULSE ensures reliable lubrication in situations with high counterpressure and long lubrication lines. With the automatic simalube lubricators, this pressure booster pumps greases and oils at up to 10 bar and 0.5 ml per impulse to the targeted lubrication point.

The LED display of the intelligent pressure booster provides information continuously about the current operating condition, and flashes green when the device is functioning correctly.



Powerhouse in compact form

- Functionality
- Lubrication impulses of 0.5 ml of oil or grease up to NLGI 2 at a pressure of up to 10 bar
- Indication of operating condition via flashing LED status display (green/red)
- Dispensing time can be modified at any time via the lubricator
- Modular system, fully compatible with 60, 125 and 250 ml simalube lubricators
- The lubricator can be replaced without removing the simalube IMPULSE
- Gentle on all lubricants, as only the required quantity is under pressure

Diverse applications

- Can be installed outside of high-temperature or hazardous areas with tubes up to 4 metres long

- The compact format means it can be installed in very small spaces
- Functions perfectly in all positions, even underwater

Efficiency

- High cost savings thanks to reusability



Components

simalube
lubricator

Electronics/display

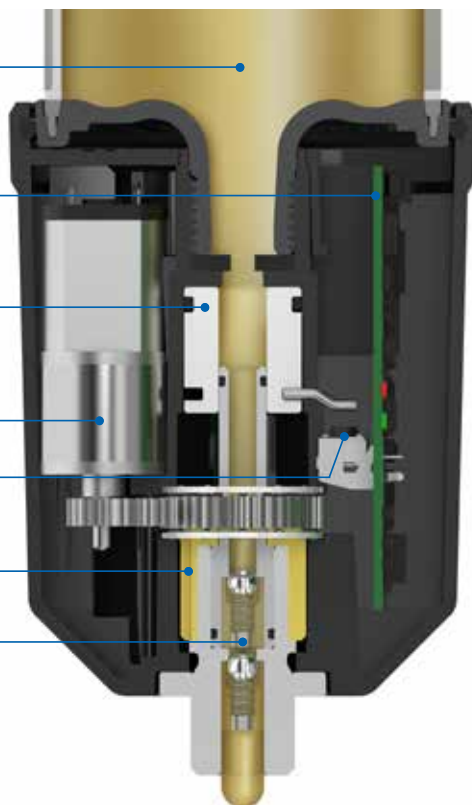
Detector piston

Drive motor

Release switch

Spindle

Pump piston



Specifications

Product	Automatic pressure booster for the simalube lubricator
Drive system	Electromechanical
Power supply	Battery pack (alkaline), 6 V 2.3 Ah Battery pack (lithium) for low temperatures, 6 V 2.9 Ah
Function display	LED status display: green/red every 10 seconds
Dispensing volume	0.5 ml per stroke
Working pressure	Up to 10 bar
Time setting	1 to 12 months – determined by the setting on the simalube
Operating temperature	-10 °C to +55 °C
Lubrication rate	Depends on the size and settings of the simalube: 0.17 to 8.3 ml/day
Lubricator volume	According to lubricator: 60 ml, 125 ml or 250 ml
Lubricant	Grease up to NLGI 2 or oil
Installation position	Any
Weight	0.24 kg
Warranty & service life	3 years from the production date or until 10 simalube lubricators (125 ml) have been emptied

Install simalube IMPULSE



Install simalube IMPULSE. Insert battery pack, screw in simalube lubricator and adjust time.

Simple refilling



Purchase new battery pack and new cartridge, refill dispenser yourself...



... or purchase a new battery pack and new simalube lubricator.

Tests/
Approvals



simalube® applications



Lifting Devices



The spindles of a lifting station for railway wagons and locomotives are lubricated with 125ml simalube over 12 months.



Food Industry



The drive chain of a transport belt, which allows rolls to cool, is cleaned with special blue brushes and lubricated with 2 simalube SL18 in 30 and 60ml sizes.



Recycling



A 125ml simalube lubricates the pedestal bearing of a conveyor belt.



Gravel and Concrete Plants



Two 250ml simalube lubricators with brushes lubricate and clean the chain drive of a drum washing machine.



Cranes



A 125ml simalube lubricator lubricate the rotating assembly of a crane.



Printing Industry



A simalube multipoint can lubricate 5 linear guides of a cutting and paper stacking machine in a printing house.



Gravel and Concrete Plants



The simalube IMPULSE with a 125ml lubricator is used in gravel plants. The IMPULSE pushes the lubricant with a pressure of 10 bar through a 4-metre lubrication line.



Elevators and Escalators



The 125ml simalube maintains the guide rails of elevators and prevents dry friction. The system is attached directly to the cabin roof.



Machinery and Plant Engineering



15ml simalube lubricators with brushes constantly supply the rack of a loading machine with oil. Additional 15ml simalube lubricators lubricate the flange bearings with grease.



Water Treatment/ Sewage Treatment Plants



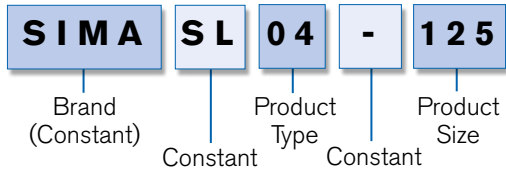
60ml lubricators on the electric motor and the drive shaft ensure continuous lubrication of a centrifugal pump.




simalube® Lubricants



Part numbering



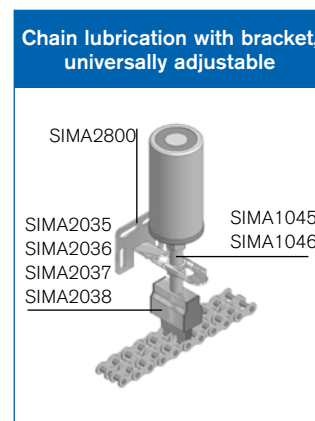
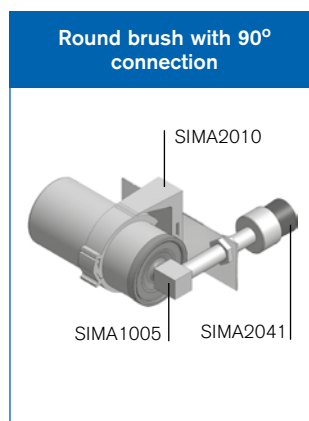
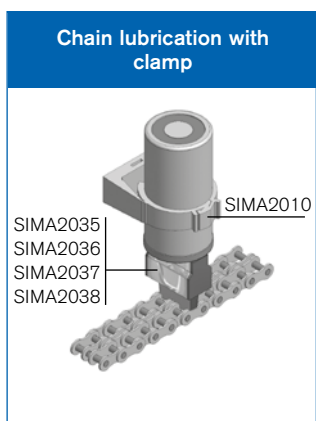
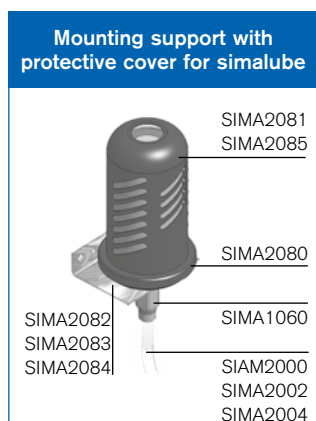
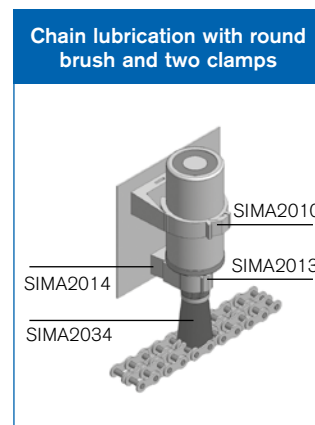
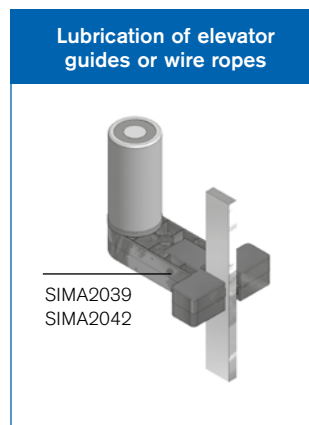
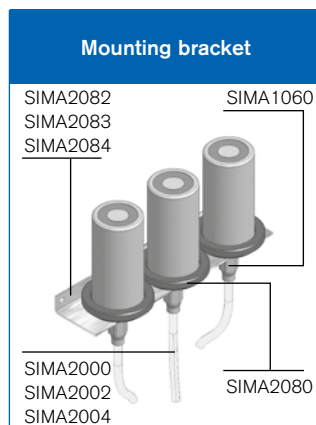
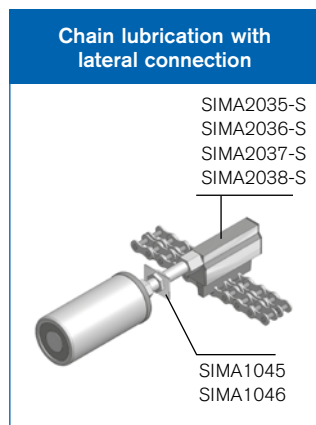
Grease	Thickener	Temperature range	Viscosity at 40 °C mm ³ /s	Applications						
				Roller bearings	Plain bearings	Linear guides	Gears/ Toothed racks	Spindles	Shaft seals	Chains
SL01 Water-resistant, long-term grease	Lithium-calcium	-30 °C to 120 °C	118	+	+	▪	▪	+	+	-
SL02 High-performance grease with MoS ₂	Lithium	-25 °C to 130 °C	270	▪	+	-	+	-	-	-
SL04 High-temperature grease for long-term lubrication (EP)	Inorganic thickener	-20 °C to 160 °C	540	+	▪	-	▪	▪	-	-
SL06 Water-resistant, fluid grease (EP)	Lithium-calcium	-20 °C to 120 °C	150	+	+	+	+	▪	-	-
SL09 Universal grease, readily biodegradable	Lithium-calcium	-20 °C to 100 °C	100	+	+	▪	▪	-	-	-
SL10 Special grease for food, beverage and pharmaceutical industries	Aluminium complex 	-30 °C to 140 °C	350	+	+	▪	+	▪	-	-
SL24 Lubricating grease for a wide temperature range (EP)	Lithium complex	-30 °C to 140 °C	185	+	+	▪	▪	+	+	-
SL25 High-temperature polyurea lubricating grease	Polyurea	-20 °C to 160 °C	110	+	▪	-	▪	▪	-	-
SL26 Calcium sulfonate complex grease (EP)	Calcium complex	-20 °C to 150 °C	460	+	+	-	▪	▪	-	-

+ recommended ▪ possible - not recommended

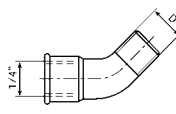
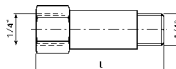
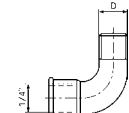
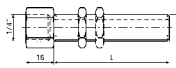
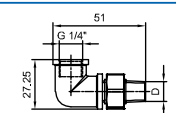
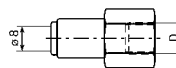
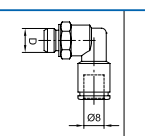
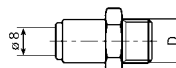
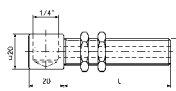
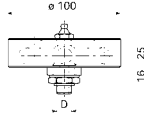
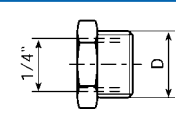
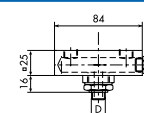
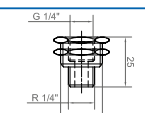
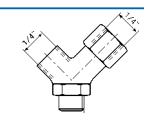
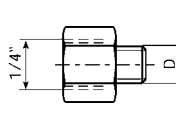
Oil	Lubricant Type	Temperature range	Viscosity at 40 °C mm ³ /s	Applications						
				Roller bearings	Plain bearings	Linear guides	Gears/Toothed racks	Spindles	Shaft seals	Chains
SL14 Chain oil (EP)	Mineral oil	-10 °C to 90 °C	68	-	■	■	-	-	-	+
SL15 High-temperature chain oil (EP)	Synthetic oil	-30 °C to 250 °C	250	-	■	■	-	-	-	+
SL16 Paraffinic lubricating oil	Mineral oil	-20 °C to 100 °C	68	-	■	■	-	-	-	+
SL18 High performance lubricating oil for the food, animal feed and pharmaceutical industry	Synthetic oil	-15 °C to 150 °C	220	-	■	■	-	-	-	+
SL19 Organic chain oil	Rapeseed oil	-15 °C to 100 °C	60	-	■	■	-	-	-	+

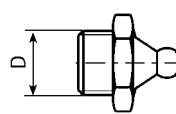
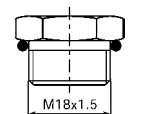
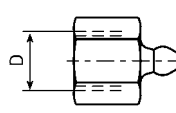
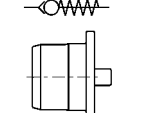
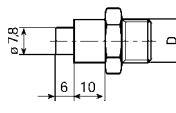
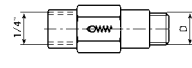
Application examples

The simalube can be easily installed anywhere and in any position with these accessories.



simalube® Accessories

Connections	 <p>Bent connection 45°</p> <p>D R 1/4 Pt No SIMA1001</p>	 <p>Extension</p> <table border="1"> <tr> <td>L</td> <td>10</td> <td>35</td> <td>50</td> <td>[mm]</td> </tr> <tr> <td>Pt No</td> <td>SIMA1021</td> <td>SIMA1040</td> <td>SIMA1041</td> <td></td> </tr> </table>	L	10	35	50	[mm]	Pt No	SIMA1021	SIMA1040	SIMA1041														
	L	10	35	50	[mm]																				
	Pt No	SIMA1021	SIMA1040	SIMA1041																					
	 <p>Bent connection 90°</p> <p>D R 1/4 Pt No SIMA1002</p>	 <p>Screwed connection with hole 25 mm incl. 1 nut / 60 mm, incl. 2 nuts</p> <table border="1"> <tr> <td>L</td> <td>25</td> <td>60</td> <td>[mm]</td> </tr> <tr> <td>Pt No</td> <td>SIMA1045</td> <td>SIMA1046</td> <td></td> </tr> </table>	L	25	60	[mm]	Pt No	SIMA1045	SIMA1046																
	L	25	60	[mm]																					
	Pt No	SIMA1045	SIMA1046																						
	 <p>Bent connection 90° swiveling</p> <p>D R 1/4 Pt No SIMA1004</p>	 <p>Quick connection for hose Ø 8 mm</p> <p>D G 1/4 Pt No SIMA1060</p>																							
	 <p>Rotary elbow for hose Ø 8 mm</p> <p>D G 1/8 G 1/4 Pt No SIMA1007 SIMA1008</p>	 <p>Quick connection for hose Ø 8 mm</p> <p>D G 1/8 G 1/4 G 3/8 Pt No SIMA1070 SIMA1071 SIMA1072</p>																							
 <p>90° connection with thread incl. 2 nuts (only for oil)</p> <p>L 70 [mm] Pt No SIMA1005</p>	 <p>4-fold adapter</p> <p>D G 1/2 G 1/4 Pt No SIMA4100 SIMA4101</p>																								
 <p>Connecting nipple</p> <p>D G 3/8 G 1/2 Pt No SIMA1010 SIMA1011</p>	 <p>2-fold adapter</p> <p>D G 1/2 G 1/4 Pt No SIMA4102 SIMA4103</p>																								
 <p>Fixation nipple G 1/2" - R 1/4"</p> <p>L 25 [mm] Pt No SIMA1015</p>	 <p>Y-manifold contains reduction art. 290.1021</p> <p>D R 1/4 Pt No SIMA1050</p>																								
 <p>Reducing nipple</p> <table border="1"> <tr> <td>D</td> <td>G 1/8</td> <td>G 1/4</td> <td>M 6</td> <td>M 8</td> <td>M 8×1</td> </tr> <tr> <td>Pt No</td> <td>SIMA1020</td> <td>SIMA1021</td> <td>SIMA1022</td> <td>SIMA1023</td> <td>SIMA1024</td> </tr> <tr> <td>D</td> <td>M 10</td> <td>M 10×1</td> <td>M 12</td> <td>M 12×1.5</td> <td>UNF 1/4</td> </tr> <tr> <td>Pt No</td> <td>SIMA1025</td> <td>SIMA1026</td> <td>SIMA1027</td> <td>SIMA1028</td> <td>SIMA1121</td> </tr> </table>	D	G 1/8	G 1/4	M 6	M 8	M 8×1	Pt No	SIMA1020	SIMA1021	SIMA1022	SIMA1023	SIMA1024	D	M 10	M 10×1	M 12	M 12×1.5	UNF 1/4	Pt No	SIMA1025	SIMA1026	SIMA1027	SIMA1028	SIMA1121	
D	G 1/8	G 1/4	M 6	M 8	M 8×1																				
Pt No	SIMA1020	SIMA1021	SIMA1022	SIMA1023	SIMA1024																				
D	M 10	M 10×1	M 12	M 12×1.5	UNF 1/4																				
Pt No	SIMA1025	SIMA1026	SIMA1027	SIMA1028	SIMA1121																				

Lubricator accessories and miscellaneous	 <p>Filling nipple for cleaning and filling of grease lines</p> <p>D R 1/4 Pt No SIMA3011</p>	 <p>Gas generator for refilling</p> <table border="1"> <tr> <td></td> <td>30 ml</td> <td>60 ml</td> <td>125 ml</td> <td>250 ml</td> </tr> <tr> <td>Pt No</td> <td>SIMA5004</td> <td>SIMA5006</td> <td>SIMA5008</td> <td>SIMA5010</td> </tr> </table>		30 ml	60 ml	125 ml	250 ml	Pt No	SIMA5004	SIMA5006	SIMA5008	SIMA5010
		30 ml	60 ml	125 ml	250 ml							
	Pt No	SIMA5004	SIMA5006	SIMA5008	SIMA5010							
 <p>Refill nipple for refilling of simalube</p> <p>D G 1/4 Pt No SIMA3012</p>	 <p>Non-return valve plug Plastic</p> <p>Pt No SIMA5060</p>											
 <p>Refill nipple to grease gun filler for filling simalube</p> <p>D R 1/4 R 3/8 Pt No SIMA3013 SIMA3014</p>	 <p>Non-return valve</p> <p>D G 1/8 G 1/4 Pt No SIMA2020 SIMA2021</p>											

Safety Accessories	 <p>Protective cover to mounting support art. 290.2080</p> <table border="1"> <tr> <td></td> <td>≤ 125 ml</td> <td>250 ml</td> </tr> <tr> <td>L</td> <td>105</td> <td>195</td> <td>[mm]</td> </tr> <tr> <td>Pt No</td> <td>SIMA2081</td> <td>SIMA2085</td> </tr> </table>		≤ 125 ml	250 ml	L	105	195	[mm]	Pt No	SIMA2081	SIMA2085	 <p>Mounting support for all simalube sizes</p> <p>D R 1/4 Pt No SIMA2080</p>
		≤ 125 ml	250 ml									
L	105	195	[mm]									
Pt No	SIMA2081	SIMA2085										

Brushes		Round brush D×L $\varnothing 25 \times 45$ [mm] Pt No SIMA2034		Brush lateral connection SFN for food applications L 25 40 70 100 [mm] Pt No SIMA2038-S SIMA2035-S SIMA2036-S SIMA2037-S Pt No SIMA2038-SFN SIMA2035-SFN SIMA2036-SFN SIMA2037-SFN
		Round brush short D×L $\varnothing 25 \times 15$ [mm] Pt No SIMA2041		Elevator brush 5–16 mm, height 32 mm Elevator brush 16–32 mm, height 32 mm Pt No SIMA2039 Pt No SIMA2044
		Brush FN for food applications L 25 40 70 100 [mm] Pt No SIMA2038 SIMA2035 SIMA2036 SIMA2037 Pt No SIMA2038-FN SIMA2035-FN SIMA2036-FN SIMA2037-FN		Elevator brush small 5–16 mm, height 32 mm Pt No SIMA2042

Installation Accessories		Hose available by the metre L per meter $\varnothing 8/6$ mm Pt No SIMA2000		Adapter for clamp (60 mm) Plastic D 50 [mm] Pt No SIMA2012
		Hose for temperatures up to 260 °C available by the metre L per meter $\varnothing 8/6$ mm Pt No SIMA2002		Distance holder to clamp for round brush art. 290.2013 H 15 [mm] Pt No SIMA2014
		Hose for small bend radius available by the metre L per meter $\varnothing 8/6$ mm Pt No SIMA2004		Bracket to mounting support simalube art. 290.2080 L 1x 3x 5x 75 240 390 [mm] Pt No SIMA2082 SIMA2083 SIMA2084
		Clamp for simalube/round brush Plastic D 22 28 50 [mm] Pt No SIMA2015 SIMA2013 SIMA2010		Bracket universally adjustable Pt No SIMA2800
		Magnetic fixture for clamps Pt No SIMA2019		

simalube multipoint installation components

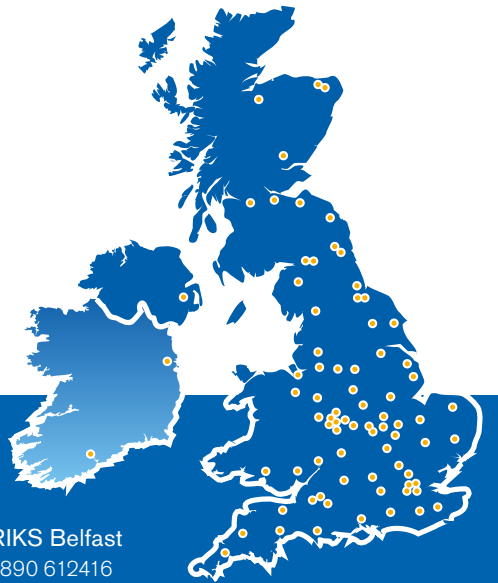
	Quick connection for hose $\varnothing 4$ mm D R 1/8 R 1/4 M 5 M 6 Pt No SIMA1170 SIMA1171 SIMA1172 SIMA1173		Hose available by the metre L per meter $\varnothing 4/2.7$ mm Pt No SIMA2100
	Connection SLM D $5 \times \varnothing 4$ mm Pt No SIMA2900		

Grease cartridges and oil bottles for prelubrication

	Grease Cartridge 400 ml SL01 SL02 SL04 SL06 SL09 Pt No SIMAKA01 SIMAKA02 SIMAKA04 SIMAKA06 SIMAKA09 SL10 SL24 SL25 SL26 Pt No SIMAKA10 SIMAKA24 SIMAKA25 SIMAKA26		Oil bottle 0.5 l SL14 SL15 SL16 SL18 SL19 Pt No SIMA7114 SIMA7115 SIMA7116 SIMA7118 SIMA7119
--	--	--	---

simalube IMPULSE and accessories

	simalube IMPULSE pressure booster Pt No SIMA230.1000		Battery pack Power 6 V 2.3 Ah 6 V 2.9 Ah Pt No SIMA230.5000 SIMA230.5001
--	--	--	---



ERIKS UK
0845 006 6000
www.eriks.co.uk

ERIKS Dublin
00353 1856 8540

ERIKS Cork
00353 21 4232204

ERIKS Belfast
02890 612416

Amber Way, Halesowen,
West Midlands, B62 8WG

 knowhow.eriks.co.uk  twitter.com/eriks_uk
 facebook.com/eriksuk  [ERIKS UK](https://www.linkedin.com/company/eriks-uk)

