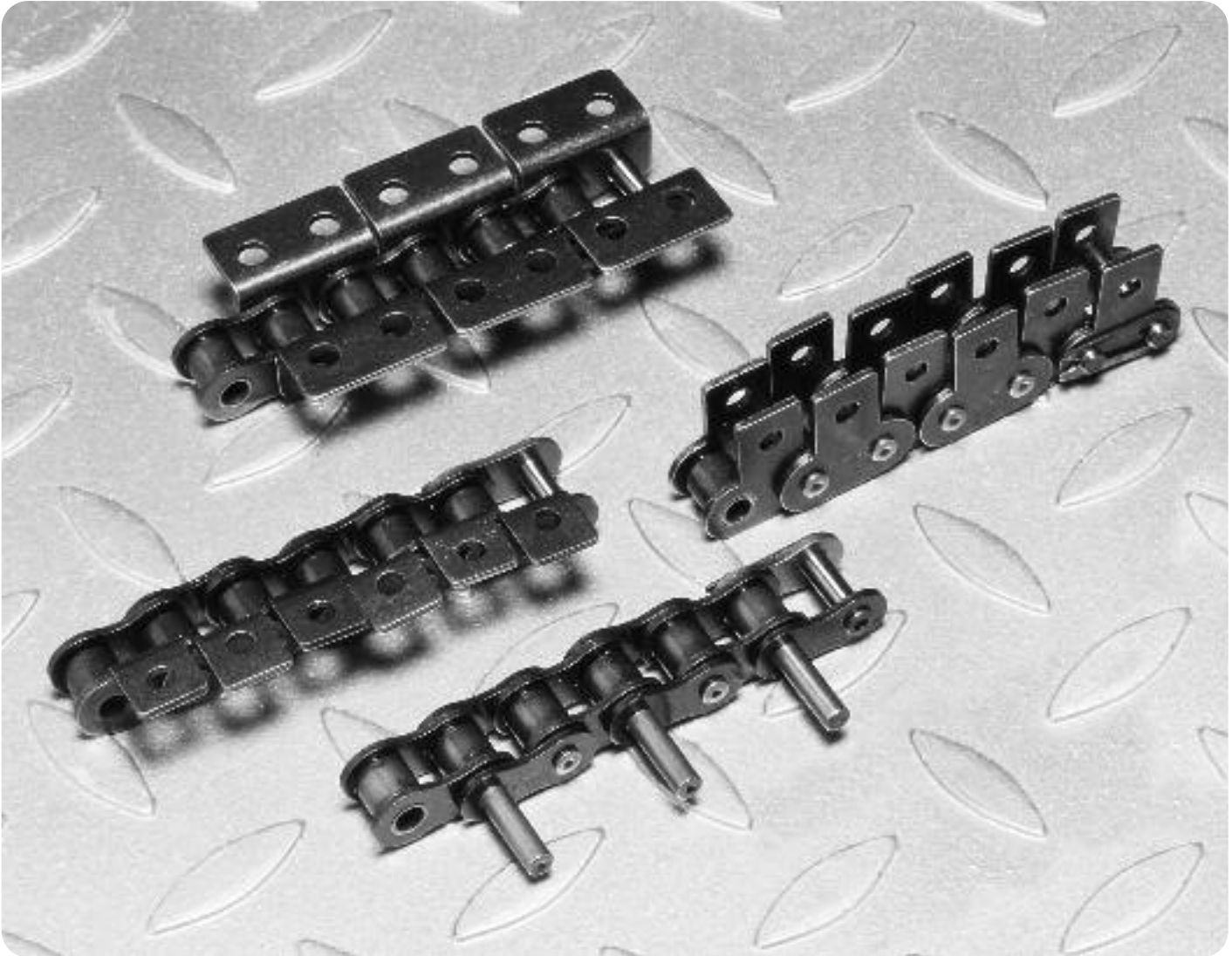


Standard Attachments



▲
Clockwise from top
K2 attachment, M1 attachment,
extended bearing pin & K1 attachment

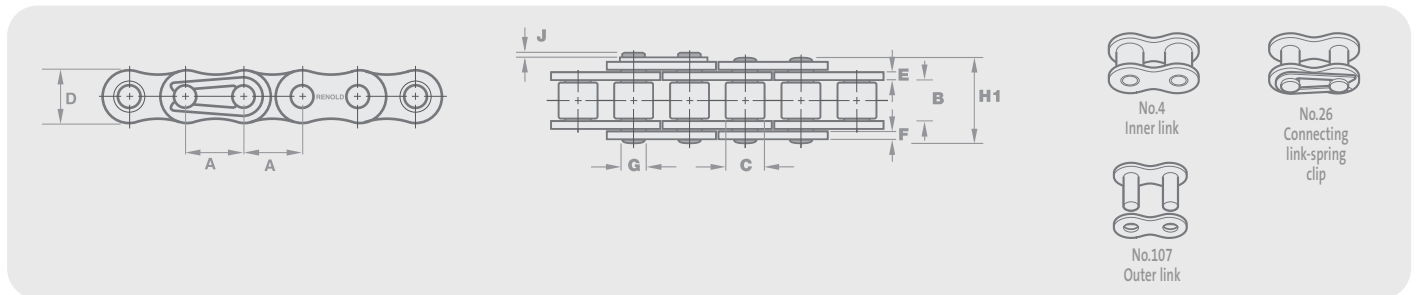
Standard Attachments

European (BS) Standard / ISO 606

Renold standard power transmission chain can be adapted for conveying duties by the fitment of attachments shown on these pages. The attachments can be assembled on one or both sides of the chain at any desired pitch spacing.

- Note:
1. K2 attachments cannot be assembled on adjacent inner and outer links on the same side of the chain.
 2. M1 attachments cannot be assembled next to a No. 30 Cranked link double joint.

Bearing pins with an extension on one side of the chain can be built into chain at any desired pitch spacing and afford a simple means by which attachments or tubular staybars may be secured to chain. The pins for BS/DIN series chain are grooved for standard external type circlips to BS 3673 Part 2 (not supplied) so that, if required, attachments may be retained endwise or can be supplied as a standard straight extended pin.



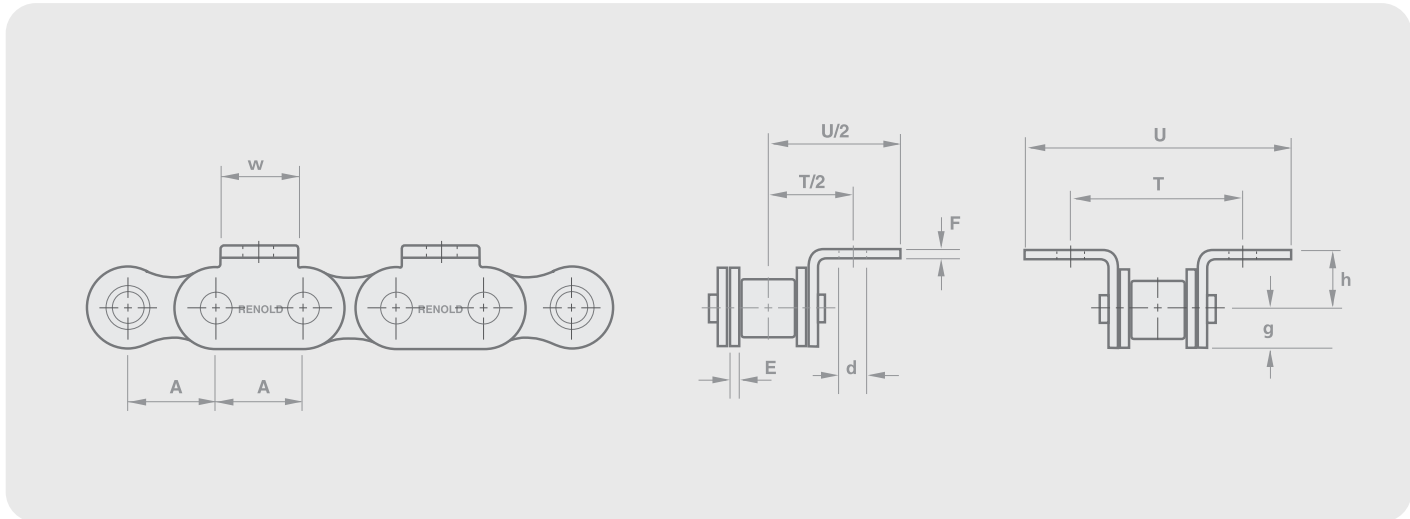
Chain Ref.		Technical Details (mm)											
Renold Chain No.	ISO Ref.	Pitch (inch)	Pitch (mm)	Inside Width	Roller Diam.	Plate Height	Plate Width Inner	Plate Width Outer	Pin Diam.	Pin Length	Conn. Link Extension	ISO606 Tensile Strength (Newtons)	Weight
				MIN	MAX	MAX	MAX	MAX	MAX	MAX	MAX	MIN	kg/m

European (BS) Standard - Simplex

		A	A	B	C	D	E	F	G	H1	J	K	
08B1	08B-1	0.500	12.700	7.75	8.51	11.81	1.55	1.55	4.45	17.0	3.9	17800	0.70
10B1	10B-1	0.625	15.875	9.65	10.16	14.73	1.55	1.55	5.08	19.6	4.1	22200	0.92
12B1	12B-1	0.750	19.050	11.68	12.07	16.13	1.80	1.80	5.72	22.7	4.6	28900	1.20
16B1	16B-1	1.000	25.400	17.02	15.88	21.08	4.12	3.10	8.28	36.1	5.4	60000	2.80
20B1	20B-1	1.250	31.750	19.56	19.05	26.42	4.62	3.61	10.19	43.2	6.1	95000	3.85
24B1	24B-1	1.500	38.100	25.40	25.40	33.40	6.10	5.08	14.63	53.4	6.6	160000	7.45

K1 Attachments

Renold & ISO 606



Chain Ref.		Technical Details (mm)									
Renold Chain No.	ISO Ref.	Pitch (inch)	Pitch (mm)								

Renold Standard

		A	A	E	F	w	h	d	g	T	U
08B1	08B	0.500	12.700	1.57	1.57	11.56	8.89	4.19	6.80	23.80	37.92
10B1	10B	0.625	15.875	1.57	1.57	12.83	10.16	4.98	6.80	31.75	44.45
12B1	12B	0.750	19.050	1.83	1.83	16.64	13.49	7.14	8.02	38.10	59.66
16B1	16B	1.000	25.400	4.06	3.10	24.32	15.24	6.68	10.27	47.63	74.45
20B1	20B	1.250	31.750	4.62	3.61	25.59	19.84	8.08	12.58	63.50	93.62

ISO Standard

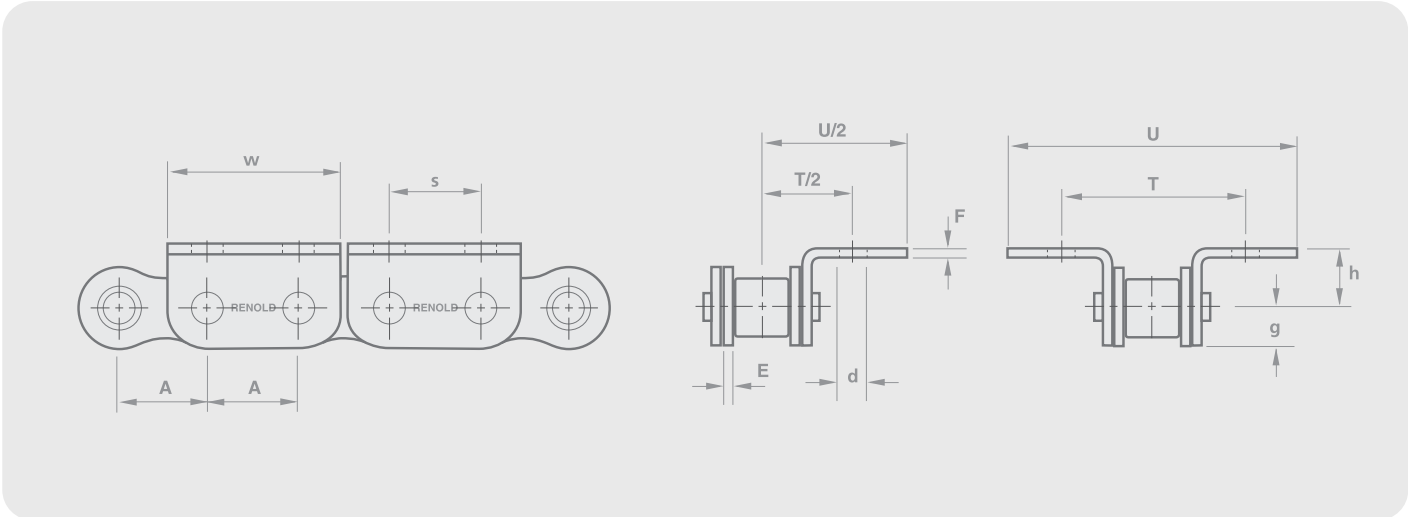
		A	A	E	F	w	h	d	g	T	U
1161	04	0.236	6.000	0.57	0.57	5.8	4.5	2.3	2.5	11.2	17.6
05B1	05B	0.315	8.000	0.73	0.73	7.8	5.3	2.3	3.4	13.5	21.5
06B1*	06B	0.375	9.525	1.25	1.00	8.0	6.7	3.3	4.1	19.6	28.5
08B1	08B	0.500	12.700	1.51	1.51	11.0	8.9	4.3	5.9	25.4	41.7
10B1	10B	0.625	15.875	1.51	1.51	14.0	10.3	5.3	6.8	31.8	49.0
12B1	12B	0.750	19.050	1.76	1.76	18.0	13.5	6.6	8.1	38.1	52.7
16B1	16B	1.000	25.400	3.70	3.00	24.0	15.9	6.6	10.5	50.8	85.6
20B1	20B	1.250	31.750	4.40	3.50	30.0	19.9	8.4	13.2	63.5	101.0
24B1	24B	1.500	38.100	5.40	5.00	36.0	28.0	10.5	16.7	88.0	124.7

* Straight plate



K2 Attachments

Renold & ISO 606



Chain Ref.		Technical Details (mm)									
Renold Chain No.	ISO Ref.	Pitch (inch)	Pitch (mm)								

Renold Standard

		A	A	E	F	h	d	g	w	s	T	U
08B1	08B	0.500	12.700	1.57	1.57	8.890	4.85	6.80	24.50	12.700	25.40	40.46
10B1	10B	0.625	15.875	1.57	1.57	10.160	4.98	6.80	29.97	15.875	31.75	45.57
12B1	12B	0.750	19.050	1.83	1.83	11.430	5.54	8.02	35.48	19.050	34.93	51.13
16B1	16B	1.000	25.400	4.06	3.10	15.875	8.08	10.27	45.91	25.400	57.15	78.26
20B1	20B	1.250	31.720	4.62	3.61	19.840	8.08	12.58	58.10	31.750	63.50	93.62

ISO Standard

		A	A	E	F	h	d	g	w	s	T	U
1161	04	-	6.000	0.57	0.57	4.5	2.3	2.5	11.1	6.0	11.2	17.6
05B1	05B	-	8.000	0.73	0.73	5.3	2.3	3.4	14.8	8.0	13.5	21.5
06B1*	06B	0.375	9.525	1.25	1.00	6.7	3.3	4.1	19.6	9.5	19.6	28.5
08B1	08B	0.500	12.700	1.51	1.51	8.9	4.3	5.9	24.4	12.7	25.4	41.7
10B1	10B	0.625	15.875	1.51	1.51	10.3	5.3	6.8	29.9	15.9	31.8	49.6
12B1	12B	0.750	19.050	1.76	1.76	13.5	6.6	8.1	35.4	19.0	38.1	48.8
16B1	16B	1.000	25.400	3.70	3.00	15.9	6.6	10.5	46.2	26.4	50.8	85.6
20B1	20B	1.250	31.750	4.40	3.50	19.9	8.4	13.2	57.0	31.7	63.5	101.0
24B1	24B	1.500	38.100	5.40	5.00	28.0	10.5	16.7	71.5	38.1	88.0	124.7

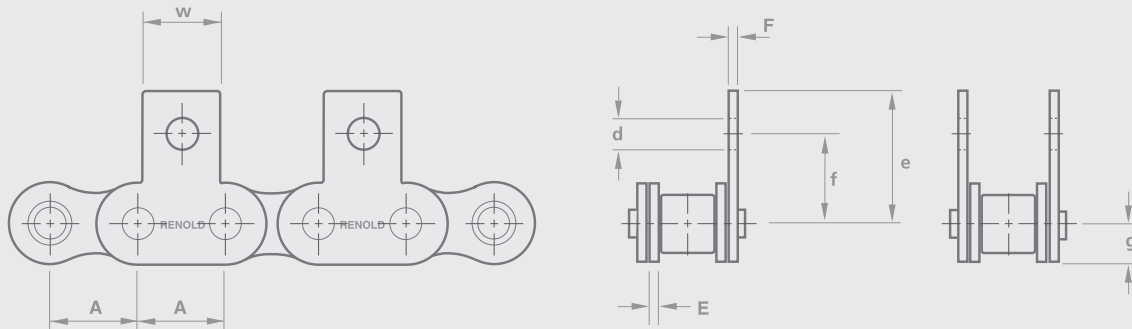
* Straight plate



M1 Attachments

Renold & ISO 606

Section 1



Chain Ref.		Technical Details (mm)								
Renold Chain No.	ISO Ref.	Pitch (inch)	Pitch (mm)							

Renold Standard

		A	A	E	F	w	e	f	d	g
08B1	08B	0.500	12.700	1.57	1.57	11.56	19.00	12.700	4.19	6.80
10B1	10B	0.625	15.875	1.57	1.57	12.83	22.54	15.875	4.98	6.80
12B1	12B	0.750	19.050	1.83	1.83	16.64	31.98	22.230	7.14	8.02
16B1	16B	1.000	25.400	4.06	3.10	24.32	34.13	23.800	6.73	10.27
20B1	20B	1.250	31.750	4.62	3.61	25.59	46.02	31.750	8.20	12.58

ISO Standard

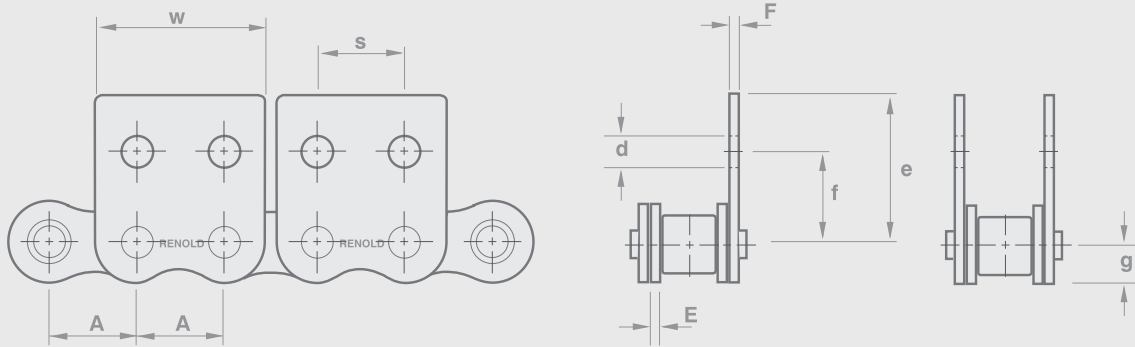
		A	A	E	F	w	e	f	d	g
1161	04	-	6.000	0.57	0.57	5.80	10.0	6.8	2.3	2.5
05B1	05B	-	8.000	0.73	0.73	7.80	11.9	8.6	2.3	3.4
06B1*	06B	0.375	9.525	1.25	1.00	8.00	14.5	10.1	3.3	4.1
08B1	08B	0.500	12.700	1.51	1.51	11.00	20.8	13.0	4.3	5.9
10B1	10B	0.625	15.875	1.51	1.51	14.00	24.9	16.5	5.3	6.8
12B1	12B	0.750	19.050	1.76	1.76	18.00	28.2	21.0	6.6	8.1
16B1	16B	1.000	25.400	3.70	3.00	24.00	39.7	23.0	6.6	10.5
20B1	20B	1.250	31.750	4.40	3.50	30.00	47.5	30.5	8.4	13.2
24B1	24B	1.500	38.100	5.40	5.00	36.00	61.5	42.7	10.5	16.7

*Straight plate



M2 Attachments

ISO 606



Chain Ref.		Technical Details (mm)									
Renold Chain No.	ISO Ref.	Pitch (inch)	Pitch (mm)								

ISO Standard

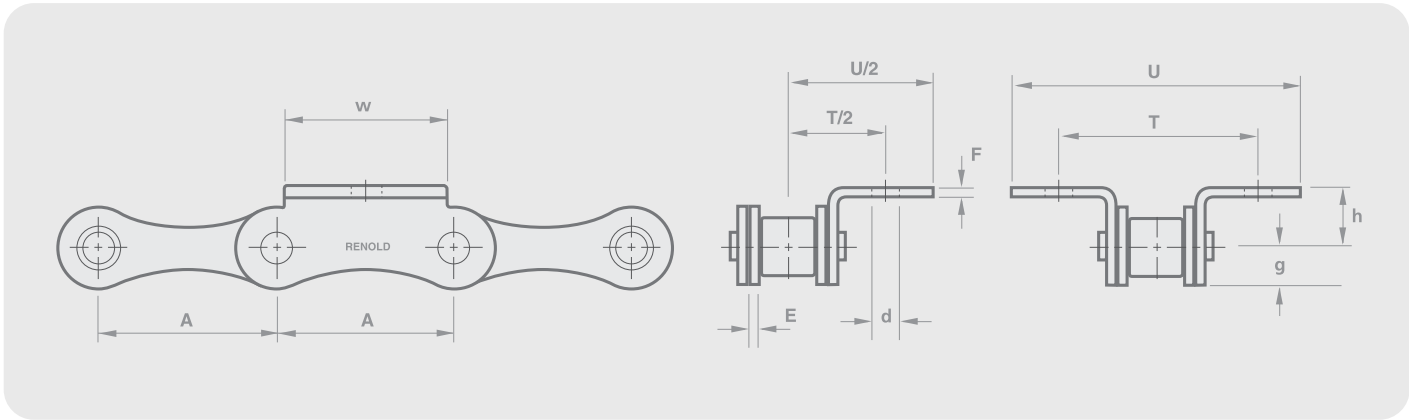
		A	A	E	F	e	f	d	g	w	s
1161	04	-	6.000	0.57	0.57	10.0	6.8	2.3	2.5	11.1	6.0
05B1	05B	-	8.000	0.73	0.73	11.9	8.6	2.3	3.4	14.8	8.0
06B1*	06B	0.375	9.525	1.25	1.00	14.5	10.1	3.3	4.1	17.6	9.5
08B1	08B	0.500	12.700	1.51	1.51	20.8	13.0	4.3	5.9	24.4	12.7
10B1	10B	0.625	15.875	1.51	1.51	24.9	16.5	5.3	6.8	29.9	15.9
12B1	12B	0.750	19.050	1.76	1.76	28.2	21.0	6.6	8.1	35.4	19.0
16B1	16B	1.000	25.400	3.70	3.00	39.7	23.0	6.6	10.5	46.2	25.4
20B1	20B	1.250	31.750	4.40	3.50	47.5	30.5	8.4	13.2	57.0	31.7
24B1	24B	1.500	38.100	5.40	5.00	61.5	42.7	10.5	16.7	71.5	38.1

* Straight plate



Double Pitch K1/K2 Attachments

Section 1

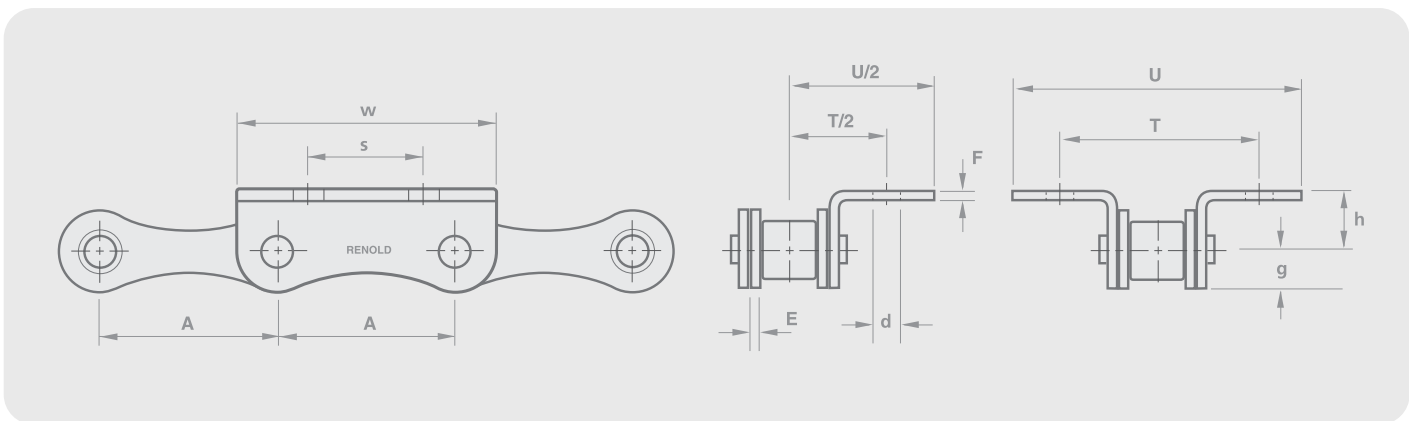


Chain Ref.		Technical Details (mm)									
Renold Chain No.	ISO Ref.	Pitch (inch)	Pitch (mm)								

Renold BS K1 Attachments

		A	A	E	F	w	h	d	g	T	U
113083*	208B	1.00	25.40	1.51	1.51	23.8	8.5	4.3	5.8	27.6	42.5
113103*	210B	1.25	31.75	1.51	1.51	25.4	10.5	5.3	7.4	31.6	48.5
113123*	212B	1.50	38.10	1.76	1.76	20.0	12.2	6.4	8.2	35.2	54.8
113168	216B	2.00	50.80	3.70	3.00	40.0	17.0	8.4	10.3	58.0	83.8
113203	220B	2.50	63.50	4.40	4.10	40.0	21.0	10.5	11.3	69.0	98.7
113243	224B	3.00	76.20	5.40	5.00	70.0	28.0	10.5	16.7	88.0	124.7

*Straight plate



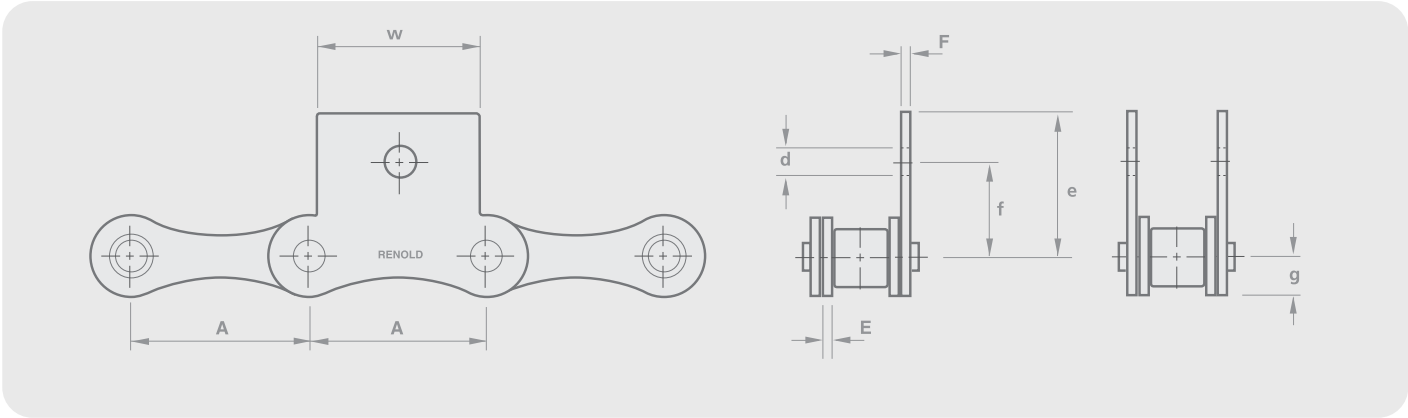
Chain Ref.		Technical Details (mm)									
Renold Chain No.	ISO Ref.	Pitch (inch)	Pitch (mm)								

Renold BS K2 Attachments

		A	A	E	F	h	d	g	w	s	T	U
113083*	208B	1.00	25.40	1.51	1.51	8.5	4.3	5.8	37.1	12.7	27.6	42.5
113103*	210B	1.25	31.75	1.51	1.51	10.5	5.3	7.4	46.7	15.8	31.6	48.5
113123*	212B	1.50	38.10	1.76	1.76	12.2	6.4	8.2	54.4	19.0	35.2	54.8
113168	216B	2.00	50.80	3.70	3.00	17.0	8.4	10.3	71.3	25.4	58.0	83.8
113203	220B	2.50	63.50	4.40	4.10	21.0	10.5	11.3	86.5	31.7	69.0	98.7

*Straight plate

Double Pitch M1/M2 Attachments

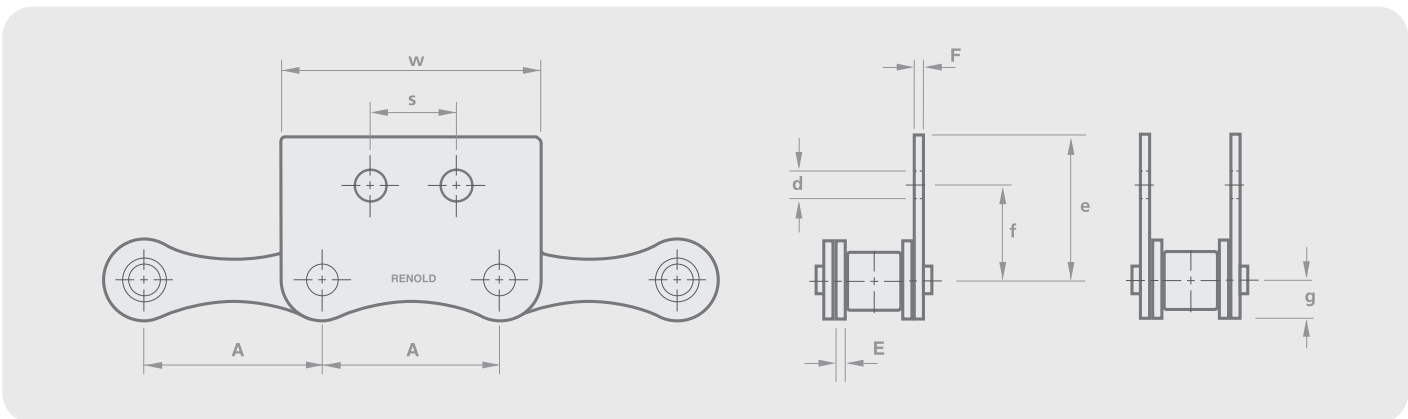


Chain Ref.		Technical Details (mm)								
Renold Chain No.	ISO Ref.	Pitch (inch)	Pitch (mm)							

Renold BS M1 Attachments

		A	A	E	F	w	e	f	d	g
113083*	208B	1.00	25.40	1.51	1.51	23.8	20.8	13.7	4.3	5.8
113103*	210B	1.25	31.85	1.51	1.51	25.4	24.9	16.5	5.3	7.4
113123*	212B	1.50	38.10	1.73	1.73	20.0	28.3	18.5	6.4	8.2
113168	216B	2.00	50.80	3.70	3.00	40.0	40.0	27.4	8.4	10.3
113203	220B	2.50	63.50	4.40	4.10	40.0	48.7	33.0	10.5	11.3
113243	224B	3.00	76.20	5.40	5.00	70.0	61.5	42.7	10.5	16.7

* Straight plate



Chain Ref.		Technical Details (mm)								
Renold Chain No.	ISO Ref.	Pitch (inch)	Pitch (mm)							

Renold BS M2 Attachments

		A	A	E	F	e	f	d	g	w	s
113083*	208B	1.00	25.40	1.51	1.51	20.8	13.7	4.3	5.8	37.1	12.7
113103*	210B	1.25	31.75	1.51	1.51	24.9	16.5	5.3	7.4	46.7	15.8
113123*	212B	1.50	38.10	1.76	1.76	28.3	18.5	6.4	8.2	54.4	19.0
113168	216B	2.00	50.80	3.70	3.00	40.0	27.4	8.4	10.3	71.3	25.4
113203	220B	2.50	63.50	4.40	4.10	48.7	33.0	10.5	11.3	86.5	31.7
113243	224B	3.00	76.20	5.40	5.00	61.5	42.7	10.5	16.7	-	38.1

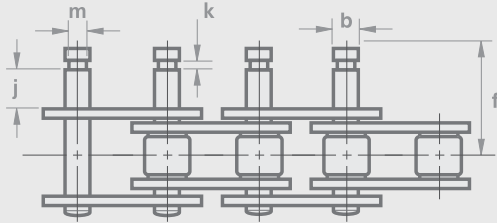
* Straight plate

Extended Bearing Pins

European (BS) Standard / ISO 606

Extended pin + circlip groove (type C)
to suit standard external circlips to BS3673 Part 2

Unit assemblies



No 163
Outer link



No 165
Connecting link - spring clip



No 164
Outer link



No 166
Connecting link - spring clip

Chain Ref.		Technical Details (mm)						
Renold Chain No.	ISO Ref.	Pitch (inch)	Pitch (mm)	Pin Diam.	Extension Length to Circlip Groove	Circlip Groove Width	Circlip Groove Diam.	Chain track from chain Centre line
				MAX	MAX	MIN	MIN	MAX

Type C

		A	A	b	j	k	m	f
08B1	08B-1	0.500	12.700	4.45	7.19	0.58	3.18	17.78
10B1	10B-1	0.625	15.875	5.08	9.45	0.71	3.73	21.34
12B1	12B-1	0.750	19.050	5.72	11.81	0.71	4.78	25.15
16B1	16B-1	1.000	25.400	8.28	15.75	1.02	6.93	36.58

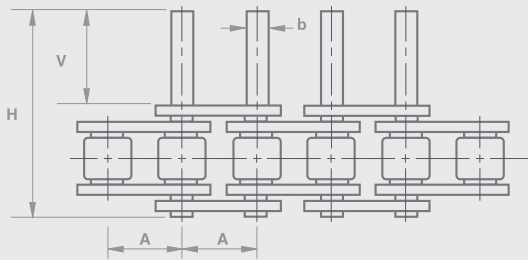
Extended pins with circlip groove

(clip not supplied unless specifically requested)



Extended pin (type D)

Unit assemblies



No 563
Outer link



No 565
Connecting link - spring clip



No 564
Outer link



No 566
Connecting link - spring clip

Chain Ref.		Technical Details (mm)				
Renold Chain No.	ISO Ref.	Pitch (inch)	Pitch (mm)	Pin Diam.	Extension Length	Pin Length
				±0.01	±0.25	MAX

Type D - ISO 606

		A	A	b	v	h
06B1*	06B-1	0.375	9.525	3.28	11.3	23.8
08B1	08B-1	0.500	12.700	4.45	14.8	31.0
10B1	10B-1	0.625	15.875	5.08	17.6	36.2
12B1	12B-1	0.750	19.050	5.72	20.7	42.4
16B1	16B-1	1.000	25.400	8.28	33.3	68.0
20B1	20B-1	1.250	31.750	10.19	38.3	79.7
24B1	24B-1	1.500	38.100	14.63	50.3	101.8

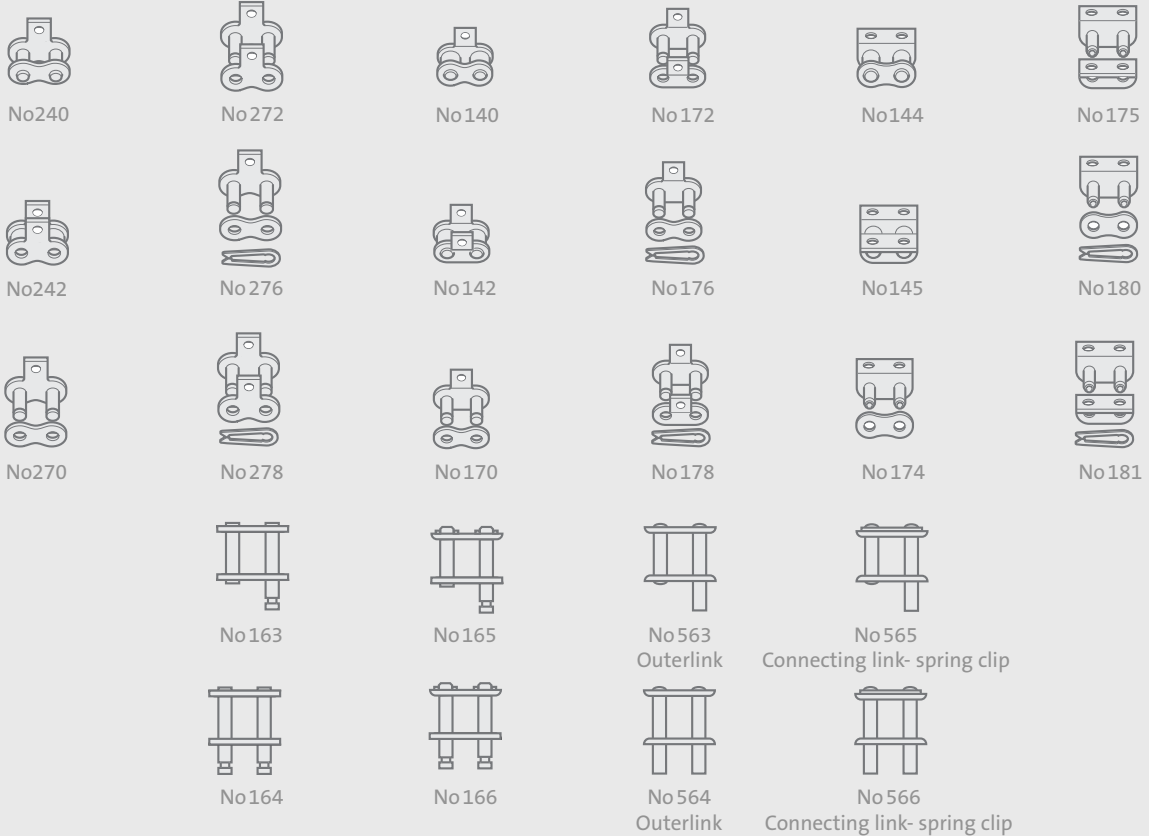
Straight extended pin



* Straight side plate

Attachment Chain Connecting Links

European (BS) Standard / ISO 606



Special or adapted roller chain

In addition to our ranges of standard series chain we can also offer:

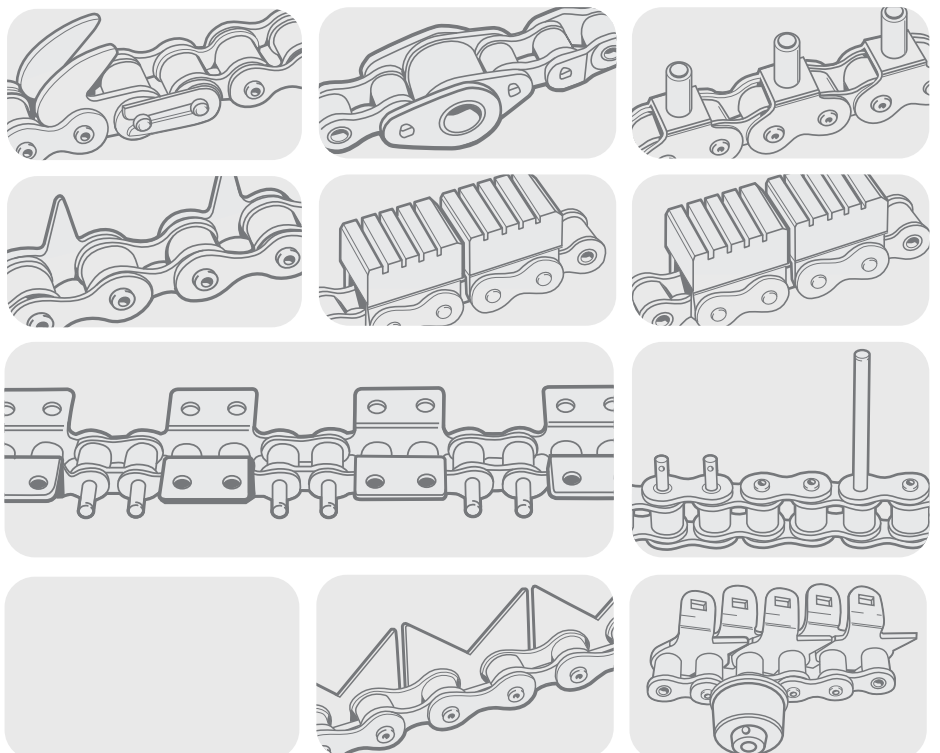
- Roller Chain up to 300mm pitch and 450 tonnes breaking load
- Standard Series Chain adapted to your unique needs with special attachments
- Special Chain designed with integral attachments to meet individual requirements

Renold adapted chain can be in the form of special plates, pin rollers, or blocks which can be designed, manufactured and assembled into chain of all pitch sizes.

Attachments can be made from normal materials, stainless steel or plastics.

We will be pleased to receive details of your requirements and evaluate them for strength, durability, price and despatch. They can be manufactured from your own designs or adapted from existing drawings.

The illustrations show only a small selection of the wide range of variants and these chains have been used successfully in many branches of industry for the feeding, conveying and discharge of a variety of products.



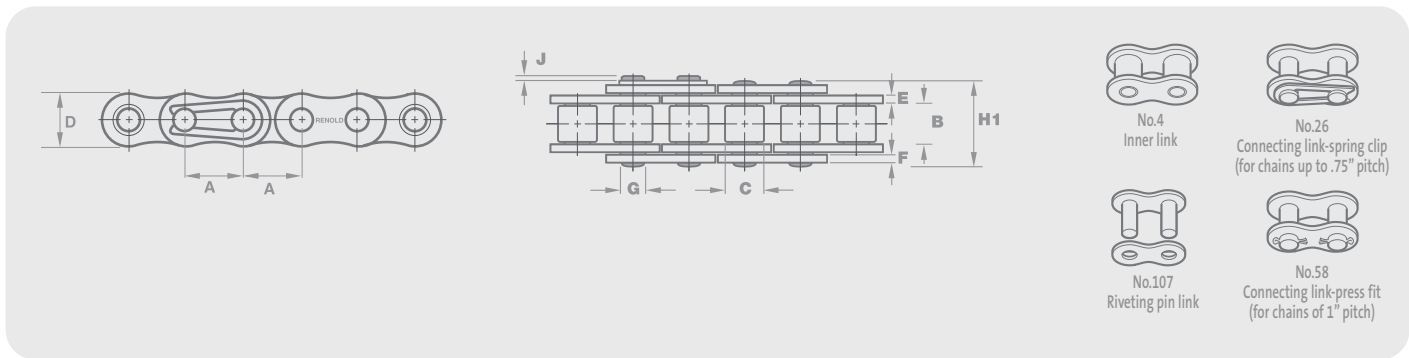
Standard Attachments

ANSI standard

Renold standard power transmission chain can be adapted for conveying duties by the fitment of attachments shown on these pages. The attachments can be assembled on one or both sides of the chain at any desired pitch spacing.

- Note:
1. K2 attachments cannot be assembled on adjacent inner and outer links on the same side of the chain.
 2. M1 attachments cannot be assembled next to a No. 30 (Cranked link double) joint.

Bearing pins with an extension on one side of the chain can be built into chain at any desired pitch spacing and afford a simple means by which attachments or tubular staybars may be secured to chain.



Chain Ref.		Technical Details (mm)											ISO606 Tensile Strength (Newtons)	Weight kg/m
Renold Chain No.	ANSI Ref.	Pitch (inch)	Pitch (mm)	Inside Width	Roller Diam.	Plate Height	Plate Width Inner	Plate Width Outer	Pin Diam.	Pin Length	Conn. Link Extension	MIN		
				MIN	MAX	MAX	MAX	MAX	MAX	MAX	MAX	MAX		

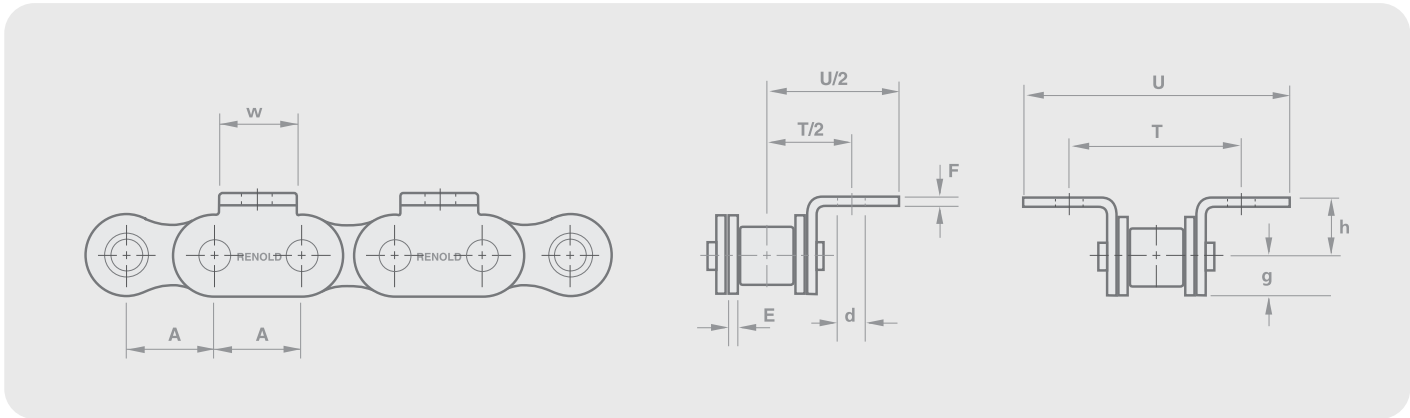
ANSI Standard - Simplex

		A	A	B	C	D	E	F	G	H1	J	K	
35A1 [‡]	35	0.375	9.525	4.68	5.080 [Ⓢ]	8.66	1.30	1.30	3.59	15.5	3.3	7900	0.33
40A1	40	0.500	12.700	7.85	7.920	11.15	1.55	1.55	3.98	17.8	3.9	13900	0.63
50A1	50	0.625	15.875	9.40	10.160	14.55	2.03	2.03	5.07	21.8	4.1	21800	1.05
60A1	60	0.750	19.050	12.58	11.910	17.45	2.39	2.39	5.96	26.9	4.6	31300	1.55
80A1	80	1.000	25.400	15.75	15.880	24.05	3.25	3.25	7.93	33.5	5.4	55600	2.80

[‡] Bush chain [Ⓢ] Bush diameter.

K1 Attachments

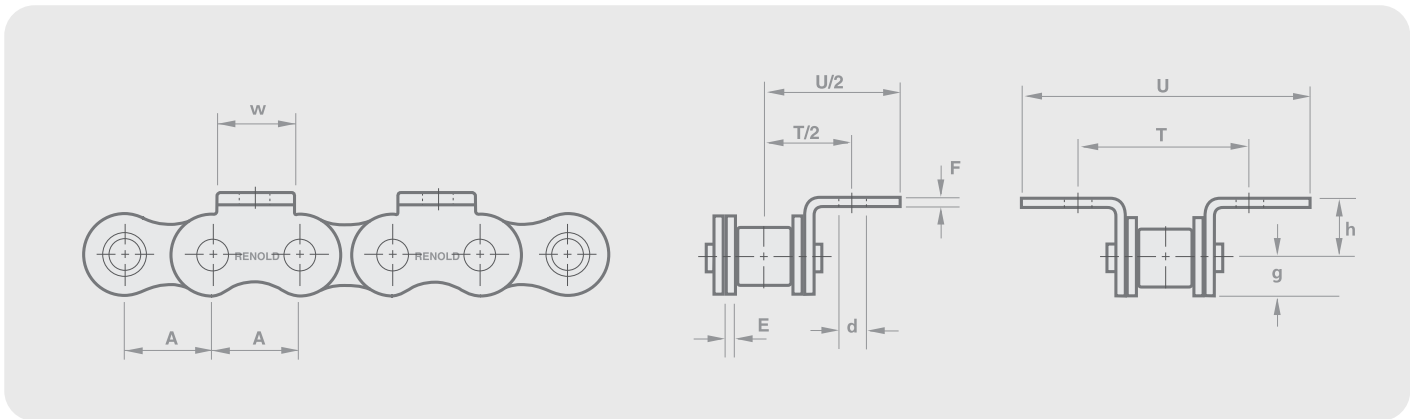
ANSI B29.100 / ISO 606



Chain Ref.		Technical Details (mm)									
Renold Chain No.	ANSI Ref.	Pitch (inch)	Pitch (mm)								

ANSI Standard

		A	A	E	F	w	h	d	g	T	U
40A1	40	0.500	12.700	1.52	1.52	9.50	7.900	3.20	6.01	25.3	35.30
50A1	50	0.625	15.875	2.03	2.03	12.70	10.300	5.20	7.54	31.8	46.02
60A1	60	0.750	19.050	2.39	2.39	15.90	12.140	5.20	9.04	38.1	54.23
80A1	80	1.000	25.400	3.15	3.15	19.05	15.875	6.73	11.43	50.8	70.08



Chain Ref.		Technical Details (mm)									
Renold Chain No.	ANSI Ref.	Pitch (inch)	Pitch (mm)								

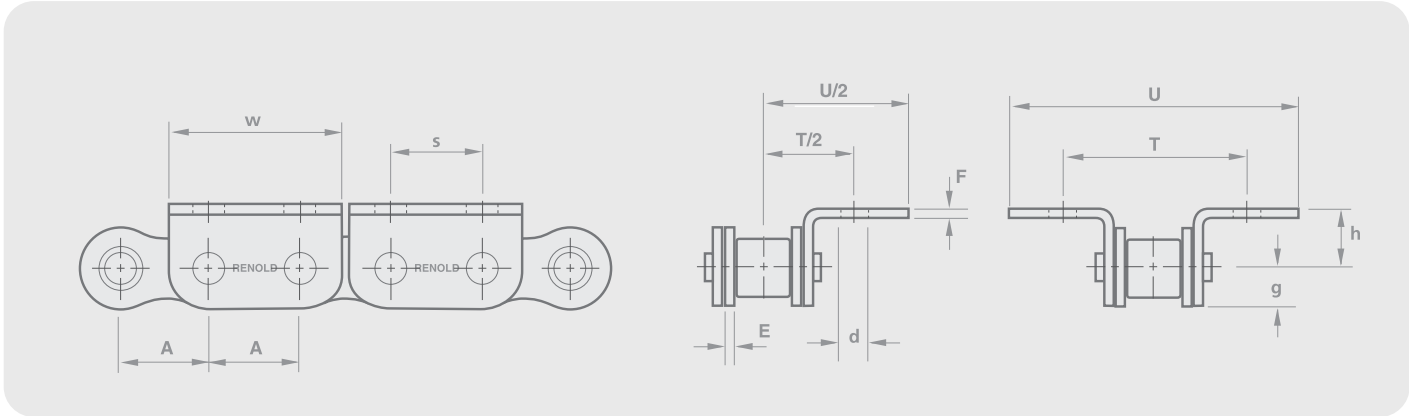
ANSI Standard

		A	A	E	F	w	h	d	g	T	U
40A1	40	0.500	12.700	1.51	1.51	9.5	7.9	3.3	5.5	25.4	35.8
50A1	50	0.625	15.875	2.00	2.00	12.7	10.3	5.3	7.2	31.8	49.8
60A1	60	0.750	19.050	2.40	2.40	15.9	11.9	5.3	8.6	38.2	58.0
80A1	80	1.000	25.400	3.00	3.00	24.0	15.9	6.6	12.1	50.8	82.6

K2 Attachments

ANSI B29.100 / ISO 606

Section 1



Chain Ref.		Technical Details (mm)										
Renold Chain No.	ANSI Ref.	Pitch (inch)	Pitch (mm)									

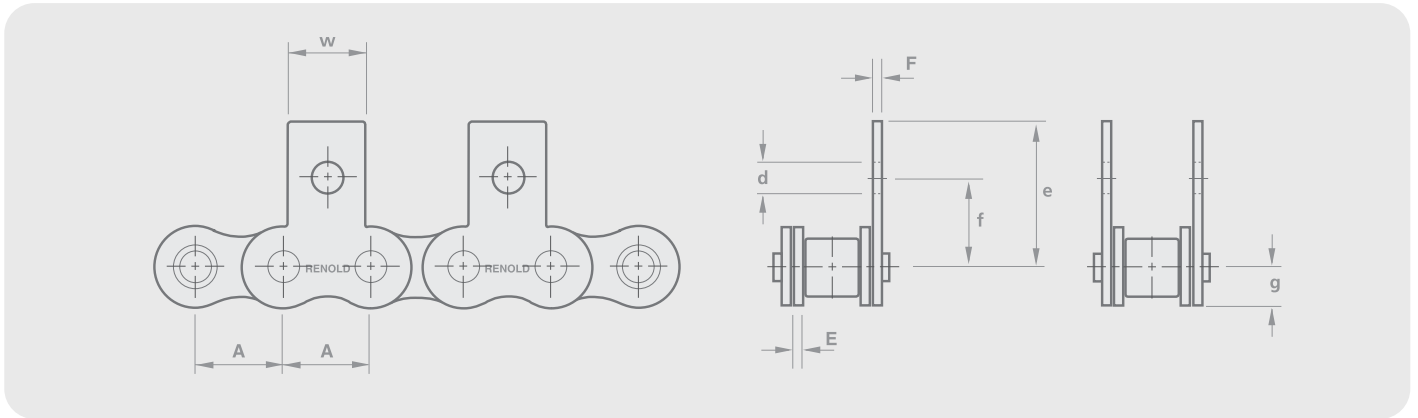
ISO/ANSI Standard

		A	A	E	F	h	d	g	w	s	T	U
40A1	40	0.500	12.700	1.51	1.51	7.9	3.3	5.5	24.0	12.7	25.4	35.8
50A1	50	0.625	15.875	2.00	2.00	10.3	5.3	7.2	29.9	15.8	31.8	49.8
60A1	60	0.750	19.050	2.40	2.40	11.9	5.3	8.6	35.6	19.0	38.2	58.0
80A1	80	1.000	25.400	3.00	3.00	15.9	6.6	12.1	46.2	25.4	50.8	82.6



M1 Attachments

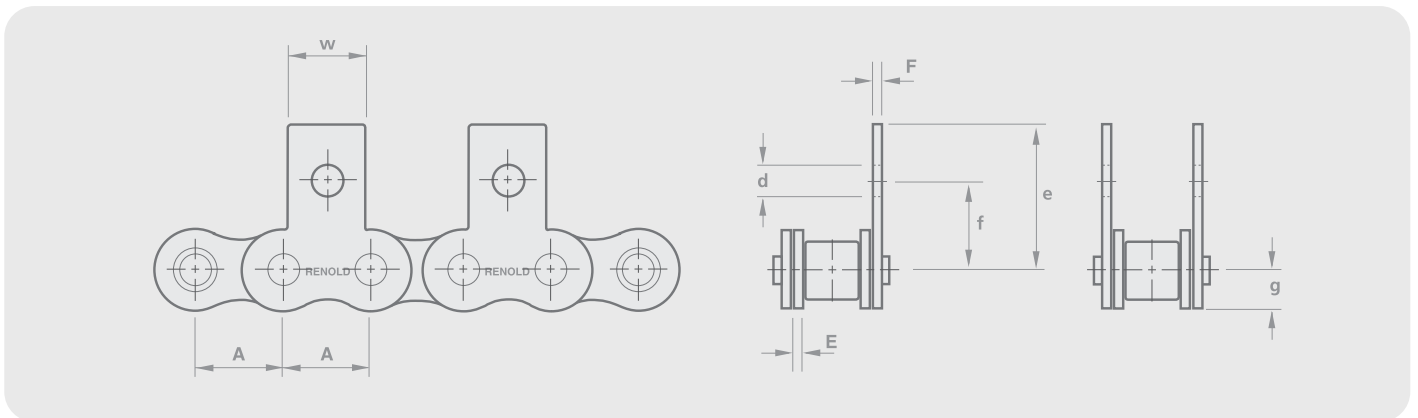
ANSI B29.100 / ISO 606



Chain Ref.		Technical Details (mm)								
Renold Chain No.	ANSI Ref.	Pitch (inch)	Pitch (mm)							

ANSI Standard

		A	A	E	F	w	e	f	d	g
40A1	40	0.500	12.700	1.52	1.52	9.50	17.40	12.42	3.20	6.01
50A1	50	0.625	15.875	2.03	2.03	12.70	22.73	15.70	5.20	7.54
60A1	60	0.750	19.050	2.39	2.39	15.90	26.36	18.19	5.20	9.04
80A1	80	1.000	25.400	3.15	3.15	19.05	34.29	24.59	6.73	11.43



Chain Ref.		Technical Details (mm)								
Renold Chain No.	ISO Ref.	Pitch (inch)	Pitch (mm)							

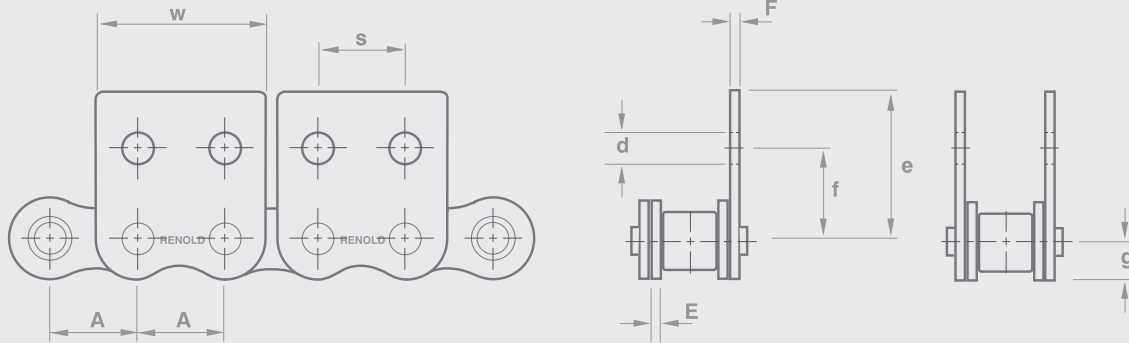
ISO/ANSI Standard

		A	A	E	F	w	e	f	d	g
40A1	40	0.500	12.700	1.51	1.51	9.5	17.5	12.7	3.3	5.5
50A1	50	0.625	15.875	2.00	2.00	12.7	24.6	15.9	5.3	7.2
60A1	60	0.750	19.050	2.40	2.40	15.9	27.4	18.3	5.3	8.6
80A1	80	1.000	25.400	3.00	3.00	24.0	39.7	24.6	6.6	12.1

M2 Attachments

ANSI B29.100 / ISO 606

Section 1



Chain Ref.		Technical Details (mm)									
Renold Chain No.	ANSI Ref.	Pitch (inch)	Pitch (mm)								

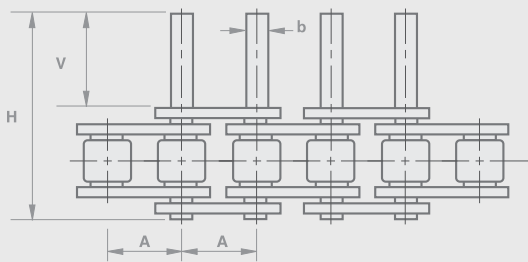
ISO/ANSI Standard

		A	A	E	F	e	f	d	g	w	s
40A1	40	0.500	12.700	1.51	1.51	17.5	12.7	3.3	5.5	24.0	12.7
50A1	50	0.625	15.875	2.00	2.00	24.6	15.9	5.3	7.2	29.9	15.8
60A1	60	0.750	19.050	2.40	2.40	27.4	18.3	5.3	8.6	35.6	19.0
80A1	80	1.000	25.400	3.00	3.00	39.7	24.6	6.6	12.1	46.2	25.4

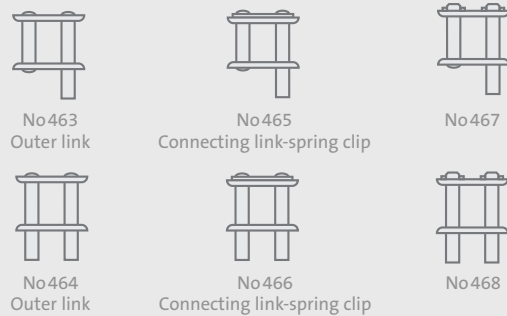
Extended Bearing Pins

ANSI B29.100 / ISO 606

Extended pin (type D)



Unit assemblies



Chain Ref.		Technical Details (mm)				
Renold Chain No.	ANSI Ref.	Pitch (inch)	Pitch (mm)	Pin Diam.	Extension Length	Chain track from chain Centre line

ANSI Standard

		A	A	b	v	h
35A1 ^o	35	0.375	9.525	3.58	9.53	15.5
40A1	40	0.500	12.700	3.96	9.73	18.0
50A1	50	0.625	15.875	5.08	11.89	22.4
60A1	60	0.750	19.050	5.94	14.27	27.2
80A1	80	1.000	25.400	7.92	19.05	35.7

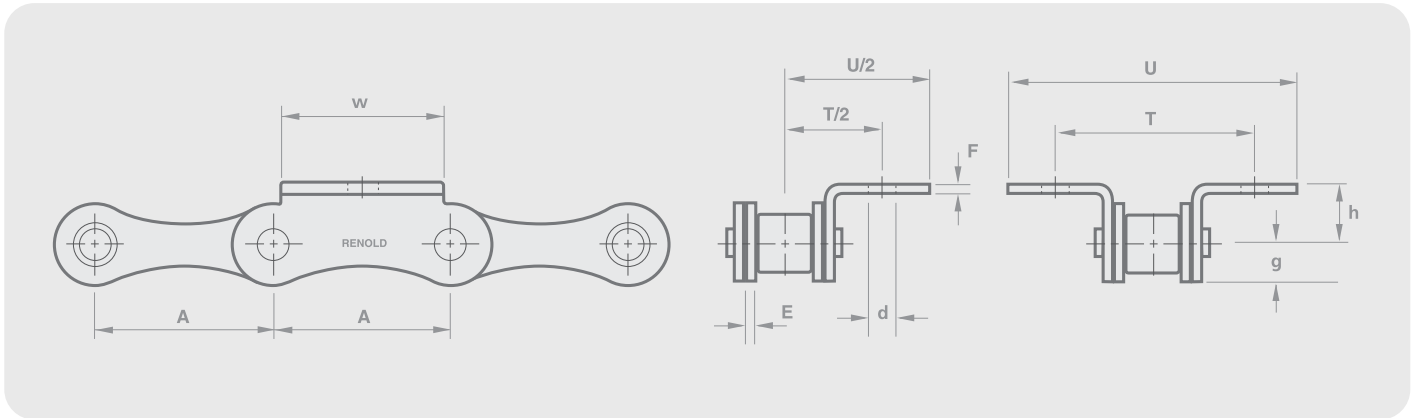
Extended pin



^o Bush chain

Double Pitch K1/M2 Attachments

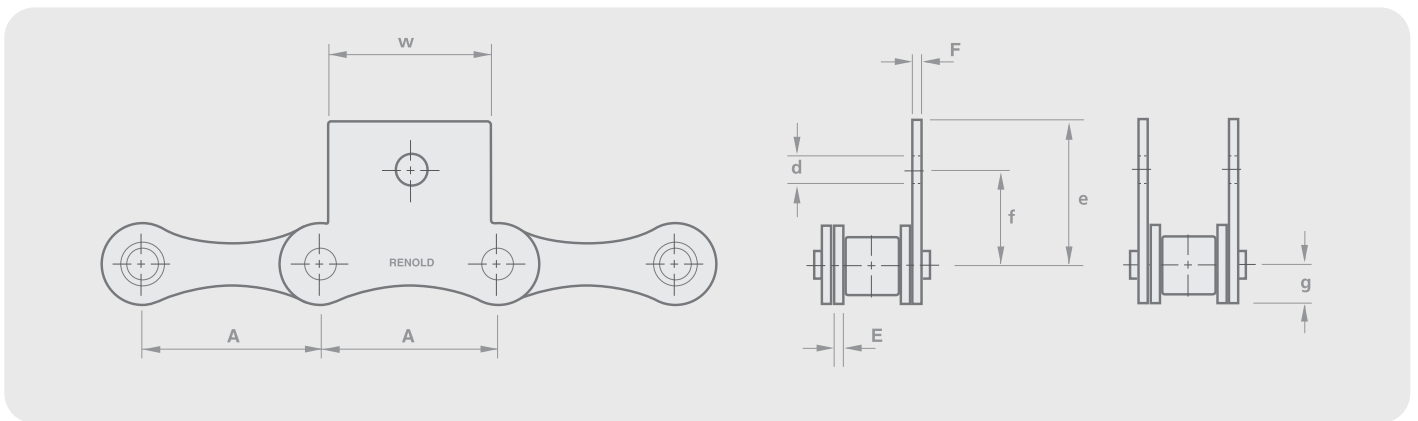
ANSI B29.100 / ISO 606



Chain Ref.		Technical Details (mm)									
Renold Chain No.	ANSI Ref.	Pitch (inch)	Pitch (mm)								

ANSI Standard K1

		A	A	E	F	w	h	d	g	T	U
113040	2040	1.00	25.40	1.51	1.51	23.8	9.1	3.3	5.7	25.4	40.6
113050	2050	1.25	31.75	2.00	2.00	25.4	11.1	5.3	7.4	31.8	48.9
113060	2060	1.50	38.10	2.40	2.40	28.6	14.7	5.3	8.8	42.8	58.0
113560*	C2060	1.50	38.10	3.17	3.17	28.6	14.7	5.3	8.8	42.8	61.6



Chain Ref.		Technical Details (mm)									
Renold Chain No.	ANSI Ref.	Pitch (inch)	Pitch (mm)								

ANSI Standard M1

		A	A	E	F	w	e	f	d	g
113040	2040	1.00	25.40	1.51	1.51	23.8	20.9	11.1	3.3	5.7
113050	2050	1.75	31.75	2.00	2.00	25.4	24.9	14.3	5.3	7.4
113060	2060	1.50	38.10	2.40	2.40	28.6	30.2	19.0	5.3	8.8
113560*	C2060	1.50	38.10	3.17	3.17	28.6	30.2	19.0	5.3	8.8

* Straight Plate

Attachment Chain Connecting Links

ANSI standard



No240



No272



No140



No172



No144



No175



No242



No276



No142



No176



No145



No180



No270



No278



No170



No178



No174



No181



No163*



No167*



No463



No465



No164*



No168*



No464



No466

* Ansi 80

Special or Adapted Roller Chain

In addition to our ranges of standard series chain we can also offer:

- Roller Chain up to 300mm pitch and 450 tonnes breaking load
- Standard Series Chain adapted to your unique needs with special attachments
- Special Chain designed with integral attachments to meet individual requirements

Renold adapted chain can be in the form of special plates, pin rollers, or blocks which can be designed, manufactured and assembled into chain of all pitch sizes.

Attachments can be made from normal materials, stainless steel or plastics.

We will be pleased to receive details of your requirements and evaluate them for strength, durability, price and despatch. They can be manufactured from your own designs or adapted from existing drawings.

The illustrations show only a small selection of the wide range of variants and these chains have been used successfully in many branches of industry for the feeding, conveying and discharge of a variety of products.

