

# Self-adapting PPS cushioning round cylinder DSNU

**FESTO**



## Innovation!

**More economical: round cylinder DSNU with self-adapting pneumatic cushioning - PPS for short.**

### **Faster and smoother**

The PPS enables a dynamic yet gentle movement to the end position without manual adjustment of the cylinder.

### **More convenient and time saving**

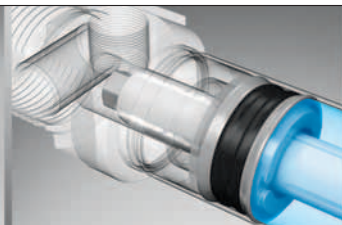
It is no longer necessary to adjust the cushioning on the DSNU with PPS. It reduces installation time and simplifies assembly. It offers especially OEMs a very interesting alternative to reduce cycle times.

### **Self-adapting**

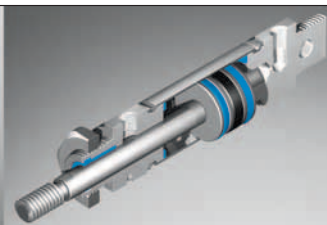
The self-adapting system guarantees optimum cushioning, even with changing loads and/or speed. This means that the cushioning for all DSNUs is the same under all circumstances. And, importantly, tampering is eliminated.



Reduced installation time



Self-adapting



Soft stopping

113.3.PSI →

Product Short Information

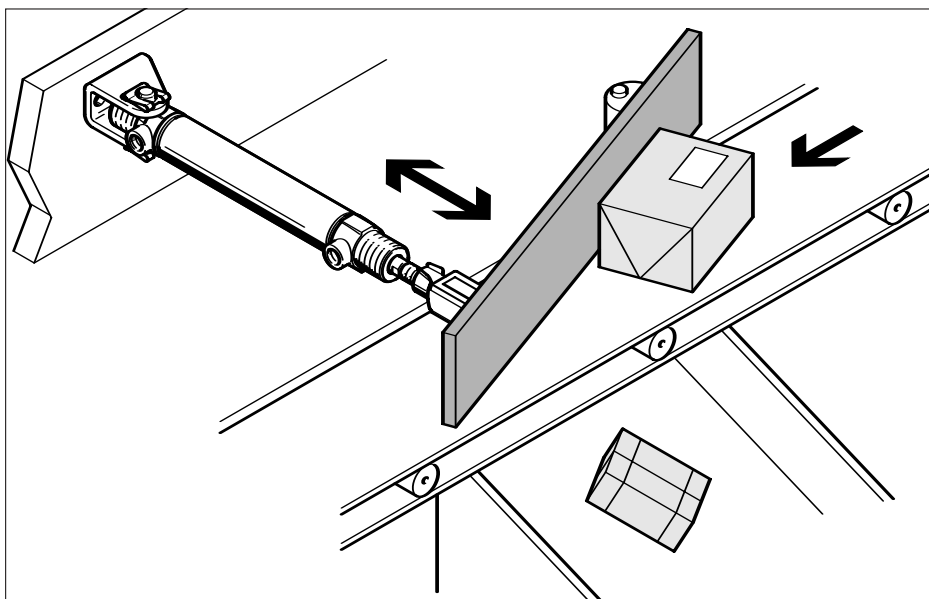
# Self-adapting PPS cushioning round cylinder DSNU

## Savings potential thanks to PPS cushioning – an example

A system for sorting packages consists of 60 stations each with a DSNU round cylinder. A total of 60 cylinders are used.

Assembly and setting are reduced by up to 5 minutes per cylinder.

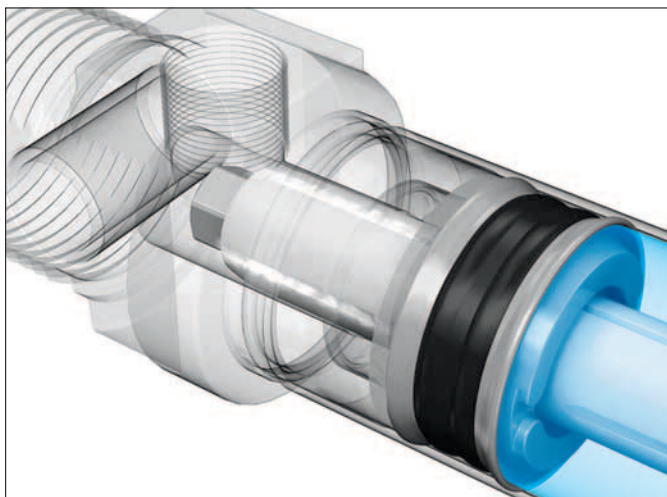
This results in a savings potential of 300 minutes or 5 working hours for the 60 cylinders.



## The DSNU-PPS range

- Diameters 16, 20, 25, 32, 40, 50, 63 mm (double-acting cylinders)
- X strokes 1 to 500 mm
- DSNU basic cylinder:
  - Bearing cap (LD) with flange thread
  - End cap (AD) with threaded lug and swivel bearing
- DSNU...-MQ:
  - Bearing cap (LD) with flange thread
  - End cap (AD) with air connection lateral to the cylinder axis
- CRDSNU version in stainless steel for improved corrosion protection

## Innovative: PPS cushioning



The self-adapting pneumatic cushioning is a highly innovative type of cushioning which enables a dynamic yet gentle movement to the end position without manual intervention on the cylinder. This is achieved by venting the cushioning air in a controlled way via the longitudinal slots.

## Festo AG & Co. KG

Ruiter Strasse 82  
73734 Esslingen, Germany  
www.festo.de  
Telephone 0180 303-1111  
Fax 0711 347-2071  
infoservice@festo.com